

专一生产 专注品质
Dedicated work Dedicated quality



隆鑫机械

LONGXIN MACHINERY

郓城隆鑫机械有限公司
Yuncheng Longxin Machinery Co.,Ltd

地址:山东郓城杨庄集工业园区

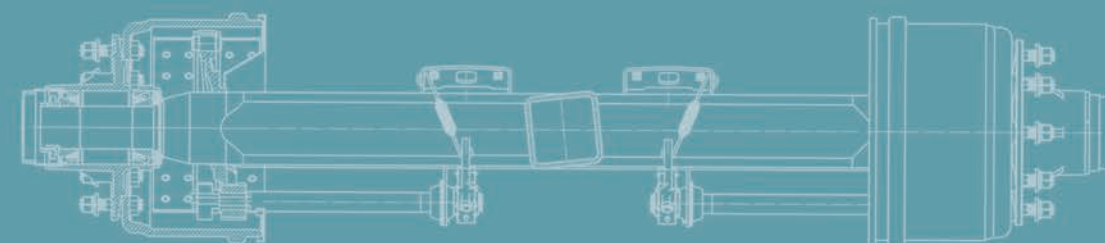
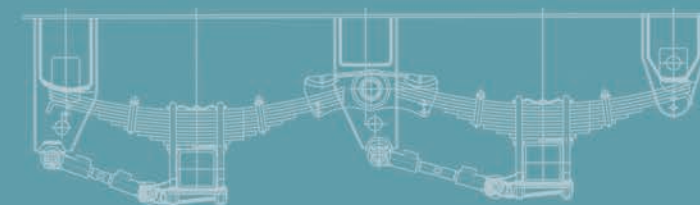
ADD:Yangzhuangji Town, Yuncheng County, Shandong

电话:0530-6719991
0531-82809497

TEL: 0530-6719991
0531-82809497

邮箱:sdlxcq@163.com
Email:sdlxcq@163.com

免费电话: 4006-758-788



郓城隆鑫机械有限公司
Yuncheng Longxin Machinery Co.,Ltd

企业简介

COMPANY PROFILE

郓城隆鑫机械有限公司成立于2010年，公司位于山东郓城杨庄集工业园区，地理位置优越，交通运输方便，是国内专业生产挂车车桥、悬挂的创新型企业。公司坚持“创新、品质、敬业、互利”的八字理念。公司拥有雄厚的技术力量，精良的制造设备，专业的研发和生产团队，为产品的创新研发、质量保证提供了坚实的后盾。我们以创新求发展，质量求生存，信誉为基础，价格为竞争力的经营理念，立足于中国挂车行业。

公司现有员工100余人，产品送达各国际检测机构检验达标，公司产品畅销全国各地，多地设立售后办事处，并出口美国、加拿大、南非等30多个国家及地区，在国内外享有良好的声誉！

Yuncheng Longxin Machinery Co., LTD is established in 2010. The company is located in the industrial park near Liangshan, the capital of trailer, superior, convenient transportation, domestic professional production trailer axle, suspension of innovative enterprises. The company insists on "innovation, quality, the eight-word concept of dedication and mutual benefit. The company has strong technology strength, sophisticated manufacturing equipment, professional developing and production team, for the product's innovation and development, quality assurance provided a solid backing. We take innovation for development, quality for survival, credit as the basis, Price for competitive business philosophy, based on China's trailer industry.

The company now has more than 100 employees, products delivered to each international inspection testing organization inspection, the company's products sold throughout the country, many places set up after-sales office and export to USA, Canada, South Africa, etc more than 30 countries and regions enjoy good reputation at home and abroad!

企业文化

COMPANY CULTURE

企业精神
Spirit

自强不息 厚德载物 诚信立本 创新致远
Unceasingly striving Social commitment Redibility and integrity
Innovation and pursuit ideal

企业宗旨
Purpose

以品牌树形象 以服务争第一
Setup up own brand Compete with better service

企业使命
Mission

追求企业与员工共同成长 共创辉煌
Growing together Success together

企业风格
Character

以诚信态度做人 以专业操守做事
Redibility and integrity Professional and serious

经营理念
Operation philosophy

唯发展才能生存 唯制度才能久远
Survive on striving Flourishing by building institution

管理文化
Management culture

使命等于生命 制度大于权益
Build Sense of mission Approve spirit of collectivism





资深的工程师，
流水线式作业，
自动化生产设备，
产品通过ISO-9001
等质量认证体系。



Senior engineers,
Pipeline operation,
Automated production
equipment,
The products have
passed ISO-9001 and
other quality certification
system.





ENTERPRISE HONOR
企业荣誉

一直以来，
 公司凭借一流的企业资质和先进的创新科研能力，
 屹立于全国市场，乃至辐射世界各地。

All the time,

The company relies on first-class enterprise qualifications and advanced innovative scientific research capabilities,
 Standing in the national market and even radiating all over the world.



目录
CONTENTS



挂车车桥
AXLE

2-18



挂车悬挂
SUSPENSION

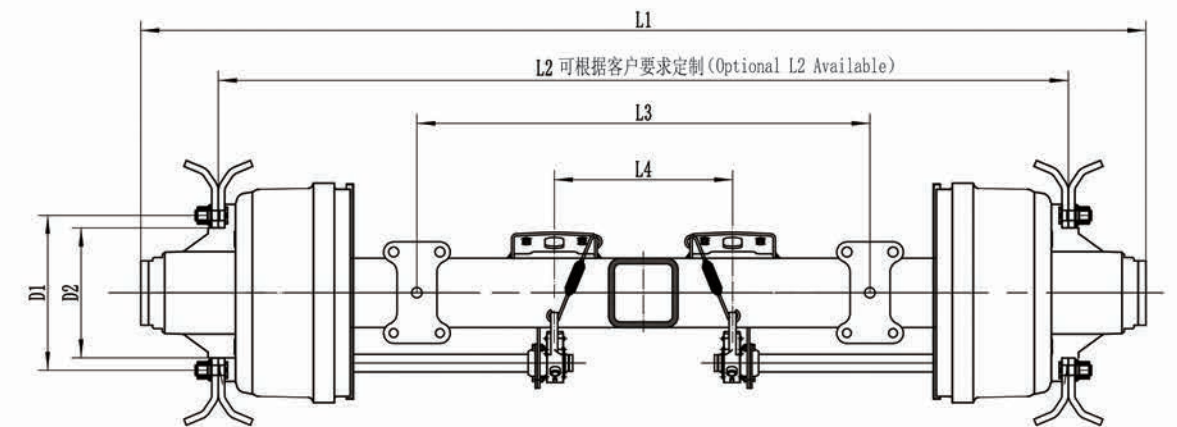
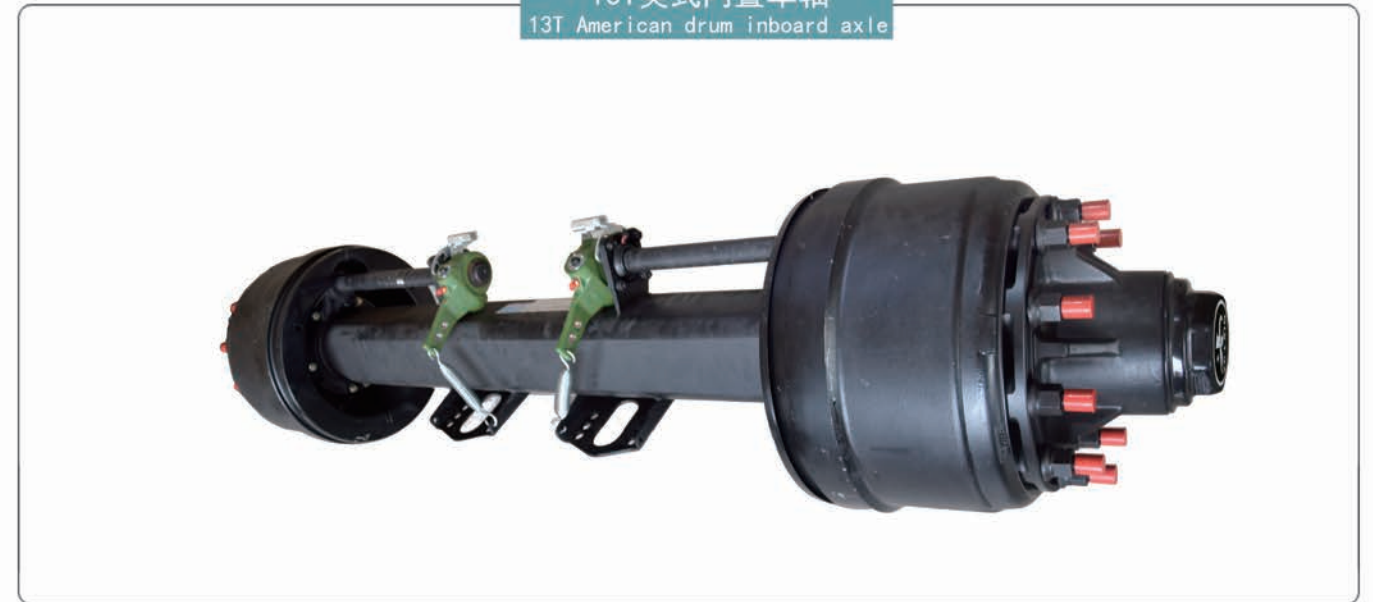
19-29



挂车配件
TRAILER PARTS

30-38

13T美式内置车轴
13T American drum inboard axle



技术参数表

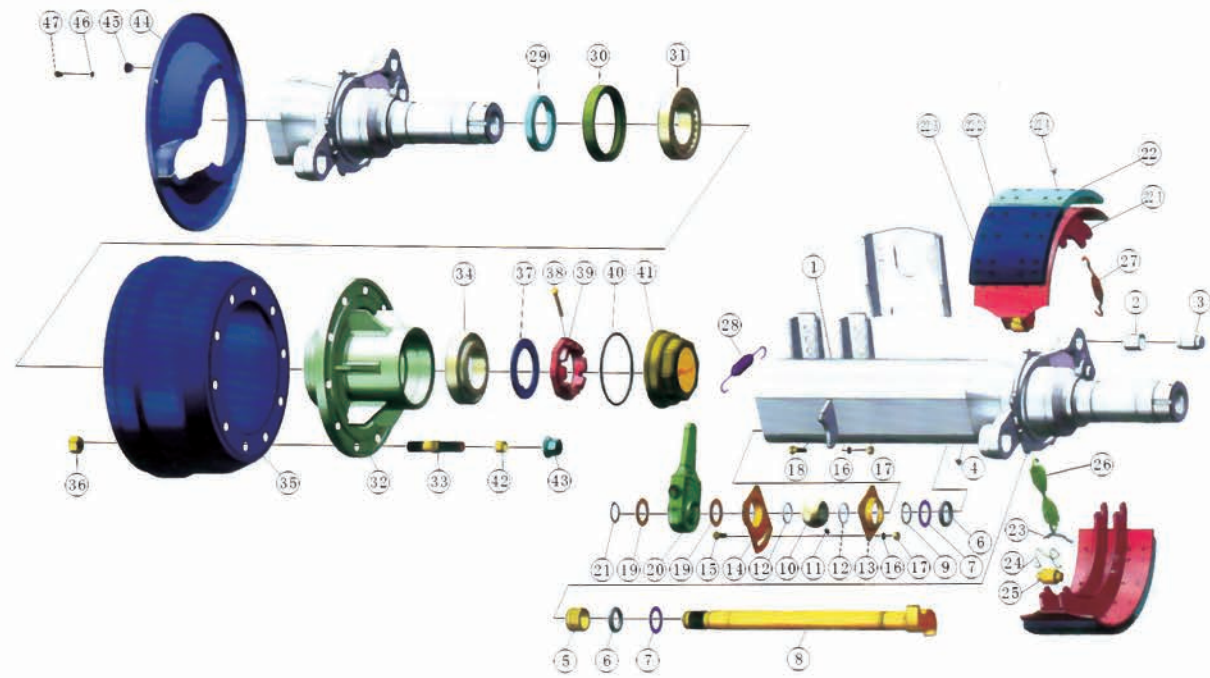
Technical Parameter Table

型号 Axle Type	额定载荷 Rated Loading	轮距 L2 Track (mm)	制动器 型号 Brake (mm)	制动室 中心距 L4 Distance of Chamber (mm)	轴管 Axle Beam (mm)	板簧座 中心距 L3 Center Distance of Spring Seat (mm)	轮毂钢连接 Wheel Fixing			轴承型号 Bearing Inter/ Outer	总长 L1 Total Length (mm)	重量 Weight (KG)	推荐轮胎 Recom- mended Wheel
							连接螺栓 Stud	分布圆 P.C.D D1 (mm)	中心孔 直径 D2 Hole Diameter (mm)				
LX-13T10A8B4	13	1840	420×180	390	150×150×11	≥930	10-M22×1.5	335	281	HM518445/10	2185	340	7.5V-20
LX-13T10A2B4	13	1840	420×180	390	150×150×11	≥930	10-M22×1.5	285.75	221		2185	340	7.5V-20
LX-13T8A2B4	13	1840	420×180	390	150×150×11	≥930	8-M20×1.5	285	221	HM518445/10	2185	340	7.5V-20
LX-13T8A11B4	13	1840	420×220	350	150×150×11	≥930	8-M30×2	285.75	221		2185	358	7.5V-20
LX-13T10A11B4	13	1840	420×220	350	150×150×11	≥930	10-M22×1.5	335	281		2185	358	7.5V-20

备注：(1) 轮距可根据客户要求定制
(2) 车轴可根据需求装配ABS

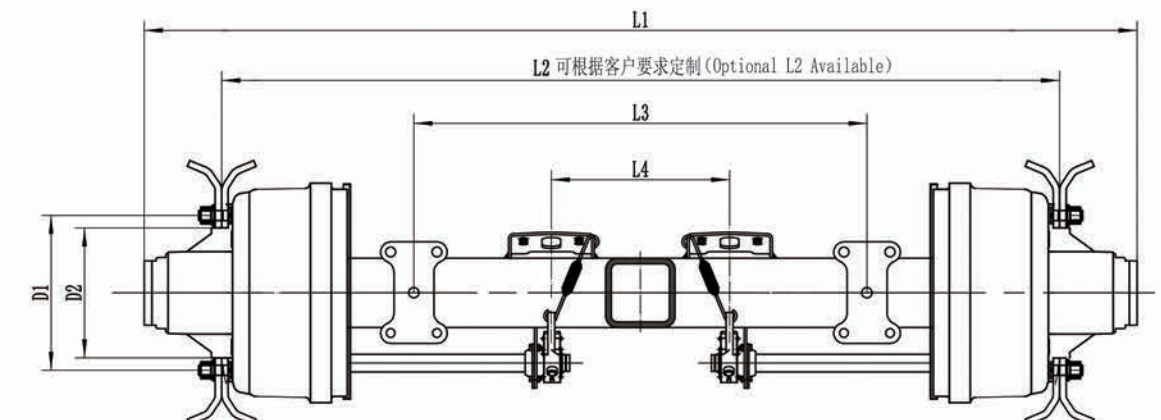
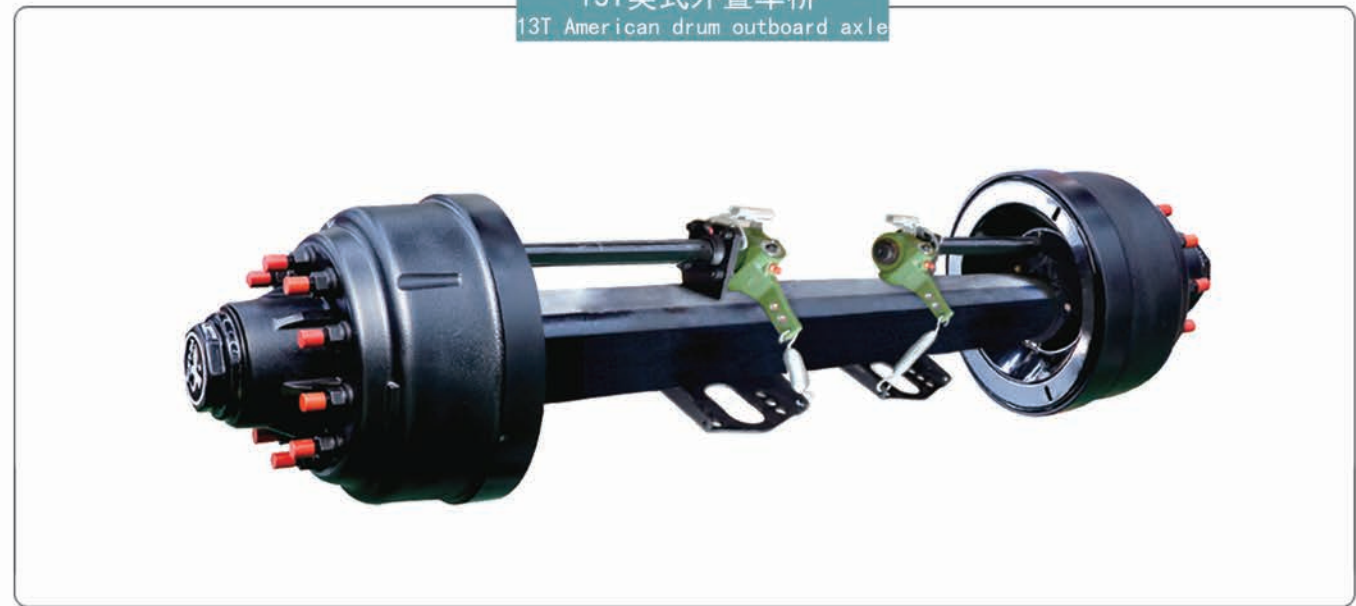
Note: (1) Track length is optional
(2) Axle is available with ABS according to customers' needs

美式车轴图解
 American axle exploded view



- | | |
|--|---|
| 1. Axle Beam Assembly 车轴焊接总成 | 21. Circlip for Axle - AStyle 轴用弹性挡圈- A型 |
| 2. Fixed pin bush 固定销衬套 | 22. Brake Shoe Assembly 制动蹄总成 |
| 3. Anchor Pin 制动蹄固定销 | 22.1. Brake Shoe Bracket 制动蹄座 |
| 4. Grease Nipple 油杯(45*) | 22.2. Brake LiningII 摩擦片I |
| 5. Cam Bush 凸轮轴衬套 | 22.3. Brake LiningI 摩擦片I |
| 6. Framework Seal Ring 骨架密封圈 | 22.4. Countersunk Head Semi-tubular Rivet 沉头半空心铆钉 |
| 7. Camshaft Big Washer 凸轮轴大垫圈 | 23. Return Spring Pin 回位弹簧销 |
| 8. Cam shaft 凸轮轴 | 24. Pin Spring Clip 销子钩簧 |
| 9. Circlip for Axle- A Style 轴用弹性挡圈-A型 | 25. RotatorPin 凸轮转子销 |
| 10. Cam Bearing 球轴承 | 26. Return Spring 回位弹簧 |
| 11. Grease Nipple 油杯 | 27. Retaining Spring 固定弹簧 |
| 12. O Ring O型圈 | 28. Slack Adjuster Spring 调整臂拉簧 |
| 13. Bearing BoxI 球轴承支座I | 29. Conical Ring 锥挡环 |
| 14. Bearing BoxII 球轴承支座II | 30. Hub Ring 轮毂密封圈 |
| 15. M10x20Hexagon Stud M10x20 六角头螺栓 | 31. Bearing 轴承 |
| 16. Spring Washer 弹簧垫圈 | 32. Hub 轮毂 |
| 17. M10 Hexagon Locknut M10型六角螺母 | 33. Wheel Stud 车轮螺栓 |
| 18. M10x30 Hexagon Stud M10x30六角头螺栓 | 34. Bearing 轴承 |
| 19. Camshaft Little Washer 凸轮轴小垫圈 | 35. Brake Drum 制动鼓 |
| 20. Slack Adjuster 调整臂 | 36. Locknut 锁紧螺母 |
| | 37. Lock Washer 锁紧垫圈 |
| | 38. Spit Pin 开口销 |
| | 39. Axle EndLocknut 轴承锁紧螺母 |
| | 40. ORing O型圈 |
| | 41. Hub Cap 端盖 |
| | 42. Wheel Stud Elastic Sleeve 车轮螺栓弹性套 |
| | 43. Wheel Nut 带垫平连摄螺母 |
| | 44. Dust Cover 防尘盖 |
| | 45. Dust Ring 密封环 |
| | 46. Spring Washer 弹簧垫圈 |
| | 47. Hexagon Stud 六角头螺栓 |

13T美式外置车桥
 13T American drum outboard axle



技术参数表

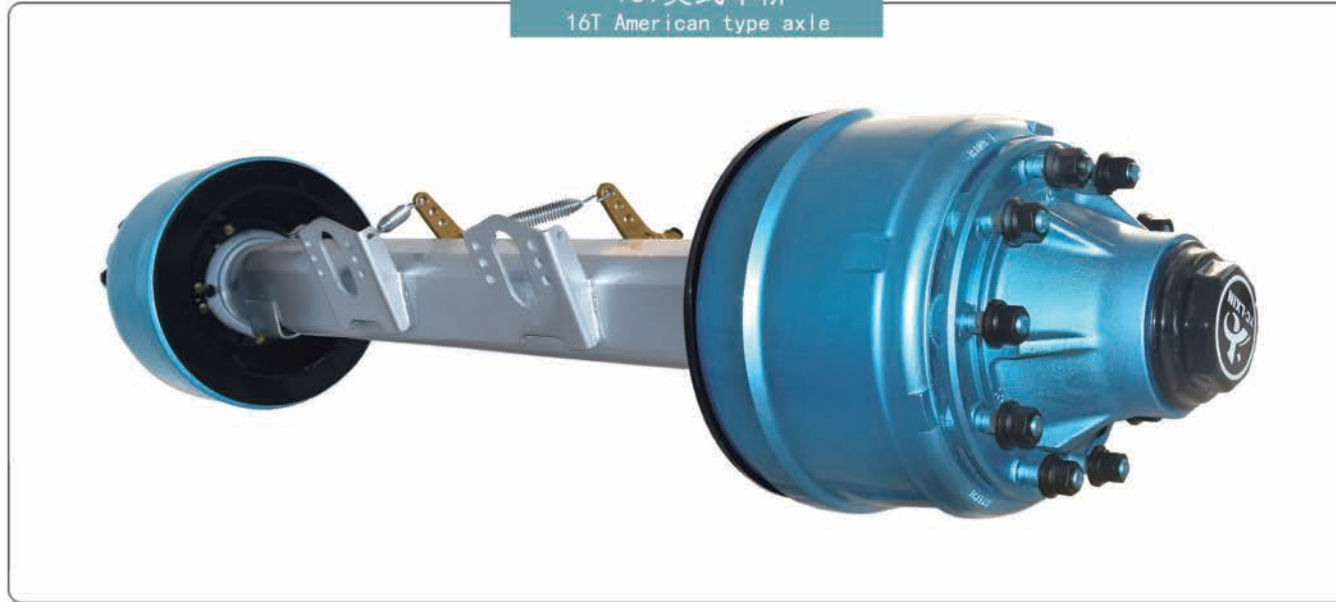
Technical Parameter Table

型号 Axle Type	额定载荷 Rated Loading	轮距 L2 Track (mm)	制动器 型号 L4 Distance of Chamber (mm)	轴管 Axle Beam (mm)	板簧座 中心距 L3 Center Distance of Spring Seat (mm)	轮毂轮制连接 Wheel Fixing			轴承型号 Bearing Inter/ Outer	总长 L1 Total Length (mm)	重量 (KG)	推荐轮辋 Recom- mended Wheel	
						连接螺栓 Stud	分布圆 P.C.D DI (mm)	中心孔 直径 D2 Hole Diameter (mm)					
LX-13T108B4	13	1840	420×180	390	150×150×11	≥930	10-M22×1.5	335	281	HM518445/10	2185	340	7.5V-20
LX-13T1082B4	13	1840	420×180	390	150×150×11	≥930	10-M22×1.5	285.75	221		2185	340	7.5V-20
LX-13T8B2B4	13	1840	420×180	390	150×150×11	≥930	8-M20×1.5	285	221		2185	340	7.5V-20
LX-13T10878B4	13	1840	420×180	390	150×150×11	≥930	10×7/8"-11	335	281		2185	340	7.5V-20
LX-13T8B II B4	13	1840	420×220	350	150×150×11	≥930	8-M30×2	285.75	221		2185	358	7.5V-20
LX-13T108 II B4	13	1840	420×220	350	150×150×11	≥930	10-M22×1.5	335	281		2185	358	7.5V-20

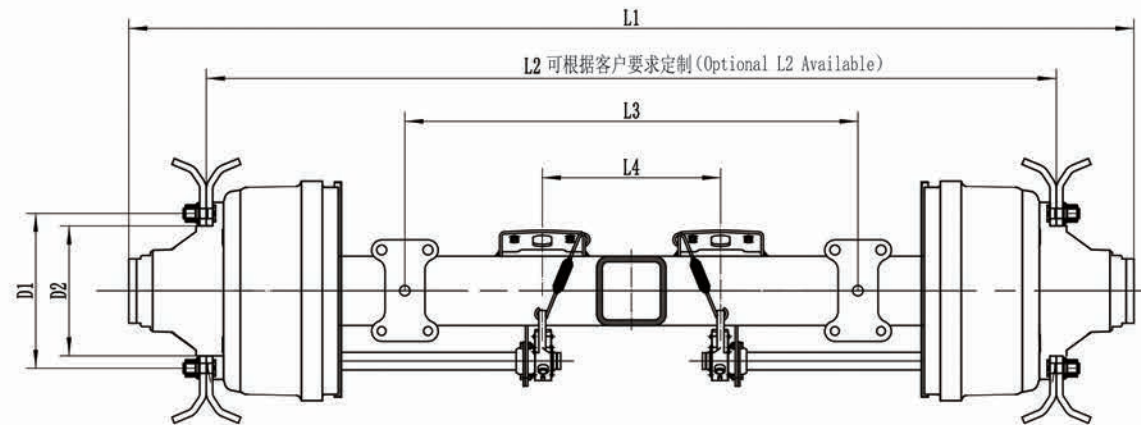
备注：(1) 轮距可根据客户要求定制
 (2) 车轴可根据需求装配ABS

Note: (1) Track length is optional
 (2) Axle is available with ABS according to customers' needs

16T美式车桥
16T American type axle



20T美式车桥
20T American type axle



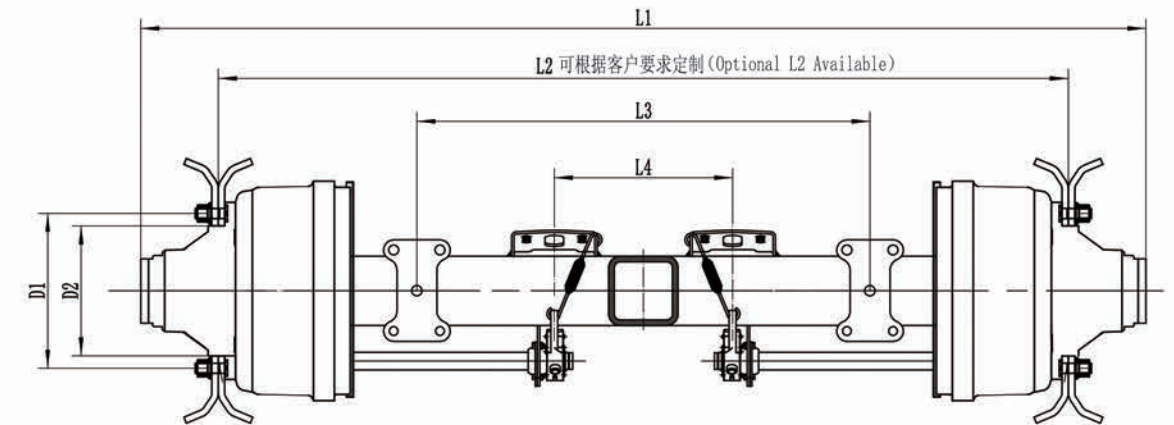
技术参数表

Technical Parameter Table

型号 Axle Type	额定载荷 Rated Loading (T)	轮距 L2 Track (mm)	制动器型号 Brake (mm)	制动室中心距 L1 Distance of Chamber (mm)	轴管 Axle Beam (mm)	板簧座中心距 L3 Center Distance of Spring Seat (mm)	轮毂连接 Wheel Fixing			轴承型号 Bearing Inter/Outer	总长 L1 Total Length (mm)	重量 Weight (KG)	推荐轮胎 Recommended Wheel
							连接螺栓 Stud	分布圆 P.C.D DI (mm)	中心孔直径 D2 Hole Diameter (mm)				
LX-16T10A8B3	16	1850	420×220	360	150×150×14	≥940	10-M22×1.5	335	281	220149/10 HM518445/10	2200	410	8.0V-20

备注：(1) 轮距可根据客户要求定制
(2) 车轴可根据需求装配ABS

Note: (1) Track length is optional
(2) Axle is available with ABS according to customers' needs



技术参数表

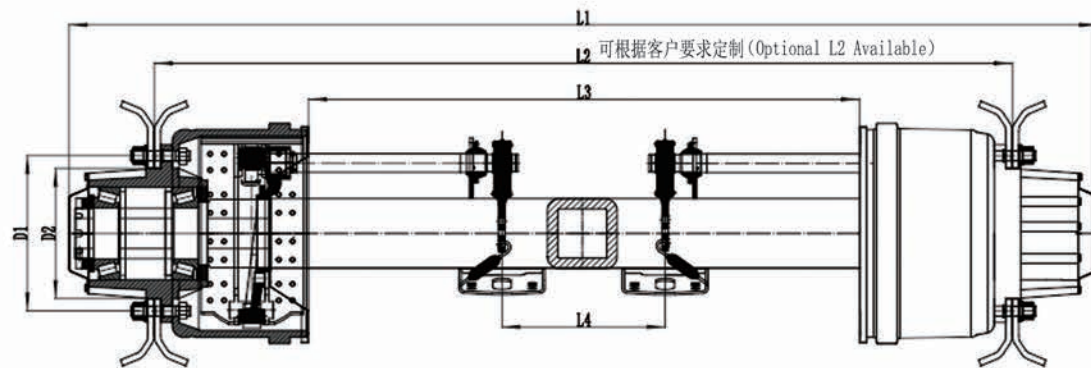
Technical Parameter Table

型号 Axle Type	额定载荷 Rated Loading (T)	轮距 L2 Track (mm)	制动器型号 Brake (mm)	制动室中心距 L1 Distance of Chamber (mm)	轴管 Axle Beam (mm)	板簧座中心距 L3 Center Distance of Spring Seat (mm)	轮毂连接 Wheel Fixing			轴承型号 Bearing Inter/Outer	总长 L1 Total Length (mm)	重量 Weight (KG)	推荐轮胎 Recommended Wheel
							连接螺栓 Stud	分布圆 P.C.D DI (mm)	中心孔直径 D2 Hole Diameter (mm)				
LX-20T10A8B3	20	1850	420×220	360	150×150×16	≥940	10-M22×1.5	335	281	HM32222/10 HM518445/10	2270	430	8.0V-20

备注：(1) 轮距可根据客户要求定制
(2) 车轴可根据需求装配ABS

Note: (1) Track length is optional
(2) Axle is available with ABS according to customers' needs

25T美式车桥
25T American type axle



技术参数表

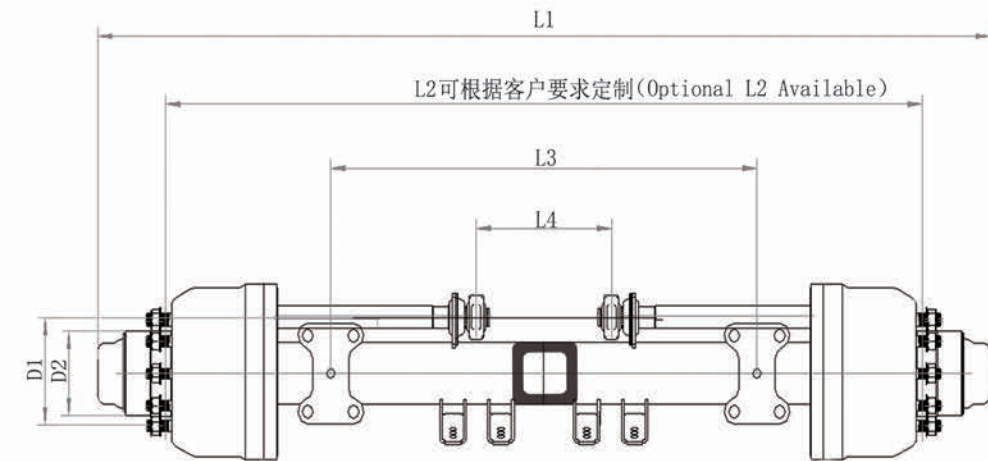
Technical Parameter Table

型号 Axle Type	额定载荷 Rated Loading (T)	轮距 L2 Track (mm)	制动器型号 Brake (mm)	制动室中心距 L4 Distance of Chamber (mm)	轴管 Axle Beam (mm)	板簧座中心距 L3 Center Distance of Spring Seat (mm)	轮毂钢连接 Wheel Fixing			轴承型号 Bearing Inter/Outer	总长 L1 Total Length (mm)	重量 Weight (KG)	推荐轮辋 Recom-mended Wheel
							连接螺栓 Stud	分布圆 P.C.D D1 (mm)	中心孔直径 D2 Hole Diameter (mm)				
LX-25T10A8B4	25	1850	420×220	360	150×150×22	≥940	10-M24×1.5	335	281	HM32222/10 HM32222/10	2230	480	8.0V-20

备注：(1) 轮距可根据客户要求定制
(2) 车轴可根据需求装配ABS

Note: (1) Track length is optional
(2) Axle is available with ABS according to customers' needs

美式127方管车桥
American 127 square axle



技术参数表

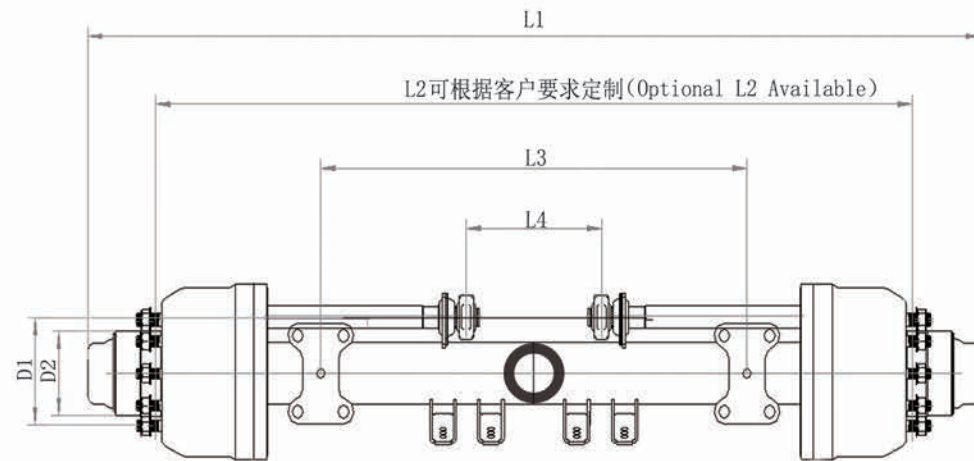
Technical Parameter Table

型号 Axle Type	额定载荷 Rated Loading (T)	轮距 L2 Track (mm)	制动器型号 Brake (mm)	制动室中心距 L4 Distance of Chamber (mm)	轴管 Axle Beam (mm)	板簧座中心距 L3 Center Distance of Spring Seat (mm)	轮毂钢连接 Wheel Fixing			轴承型号 Bearing Inter/Outer	总长 L1 Total Length (mm)	重量 Weight (KG)	推荐轮辋 Recom-mended Wheel
							连接螺栓 Stud	分布圆 P.C.D D1 (mm)	中心孔直径 D2 Hole Diameter (mm)				
LX-S13T10A8B4	13	1816	420×200	356	127×127×13.5	≥916	10-M22×1.5	335	281	HM518445/10 HM518445/10	2176	338	7.5V-20
LX-S13T10A2B4	13	1816	420×200	356	127×127×13.5	≥916	10-M22×1.5	285.75	221		2176	338	7.5V-20
LX-S13T8A2B4	13	1816	420×200	356	127×127×13.5	≥916	8-M20×1.5	285	221		2176	338	7.5V-20
LX-S13T7A8B4	13	1816	420×200	356	127×127×13.5	≥916	10×7/8"-11	335	281		2176	338	7.5V-20

备注：(1) 轮距可根据客户要求定制
(2) 车轴可根据需求装配ABS

Note: (1) Track length is optional
(2) Axle is available with ABS according to customers' needs

美式127圆管车桥
American 127 round axle



技术参数表

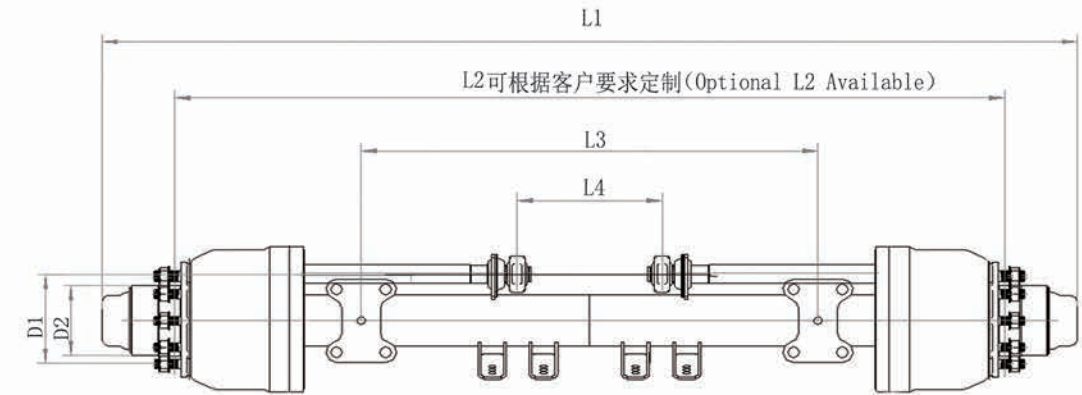
Technical Parameter Table

型号 Axle Type	额定载荷 Rated Loading (T)	轮距 L2 Track (mm)	制动器型号 Brake (mm)	制动室中心距 L4 Distance of Chamber (mm)	轴管 Axle Beam (mm)	板簧座中心距 L3 Center Distance of Spring Seat (mm)	轮毂连接 Wheel Fixing			轴承型号 Bearing Inter/Outer	总长 L1 Total Length (mm)	重量 Weight (KG)	推荐轮胎 Recom-mended Wheel
							连接螺栓 Stud	分布圆 P.C.D DI (mm)	中心孔直径 D2 Hole Diameter (mm)				
LX-R13T10A8B4	13	1816	420×180	356	Φ127×18	≥916	10-M22×1.5	335	281	HM518445/10 HM518445/10	2176	338	7.5V-20
LX-R13T10A2B4	13	1816	420×180	356	Φ127×18	≥916	10-M22×1.5	285.75	221		2176	338	7.5V-20
LX-R13T8A2B4	13	1816	420×180	356	Φ127×18	≥916	8-M20×1.5	285	221		2176	338	7.5V-20
LX-R13T10A8B4	13	1816	420×180	356	127×127×13.5	≥916	10-M22×1.5	335	281		2176	338	7.5V-20
LX-R13T10A2B4	13	1816	420×180	356	127×127×13.5	≥916	10-M22×1.5	285.75	221		2176	338	7.5V-20
LX-R13T8A2B4	13	1816	420×180	356	127×127×13.5	≥916	8-M20×1.5	285	221		2176	338	7.5V-20
LX-R13T10A2B4	10	1840	420×180	395	Φ146×14	≥930	10-M22×1.5	335	281		2180	350	7.5V-20
LX-R13T8A2B4	10	1840	420×220	355	Φ146×14	≥930	10-M22×1.5	335	281		2180	350	7.5V-20

备注：(1) 轮距可根据客户要求定制
(2) 车轴可根据需求装配ABS

Note: (1) Track length is optional
(2) Axle is available with ABS according to customers' needs

低平板车轴
Low-bed trailer axle



技术参数表

Technical Parameter Table

型号 Axle Type	额定载荷 Rated Loading (T)	轮距 L2 Track (mm)	制动器型号 Brake (mm)	制动室中心距 L4 Distance of Chamber (mm)	轴管 Axle Beam (mm)	板簧座中心距 L3 Center Distance of Spring Seat (mm)	轮毂连接 Wheel Fixing			轴承型号 Bearing Inter/Outer	总长 L1 Total Length (mm)	重量 Weight (KG)	推荐轮胎 Recom-mended Wheel
							连接螺栓 Stud	分布圆 P.C.D DI (mm)	中心孔直径 D2 Hole Diameter (mm)				
LX-R11T10A7B4	11.5	1850	311×190	270	Φ127×16	≥920	10-M22×1.5	225	176	HM518445/10 HM518445/10	2166	275	6.5V-15 17.5×6.75
LX-R11T10A7B4	11.5	1850	311×190	270	127×127×12	≥920	10-M22×1.5	225	176	HM518445/10 HM518445/10	2166	275	6.5V-15 17.5×6.75

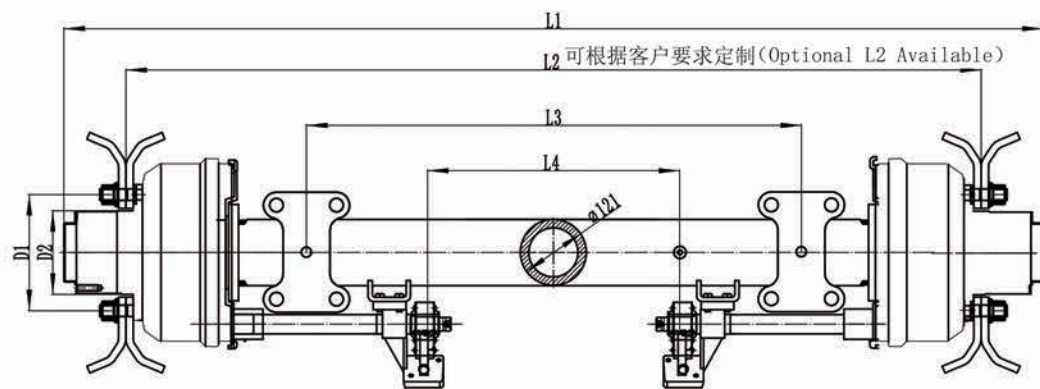
备注：(1) 轮距可根据客户要求定制
(2) 车轴可根据需求装配ABS

Note: (1) Track length is optional
(2) Axle is available with ABS according to customers' needs

8吨农用车轴
8T Agriculture trailer axle



美式单轮胎车轴
American single-tire axle



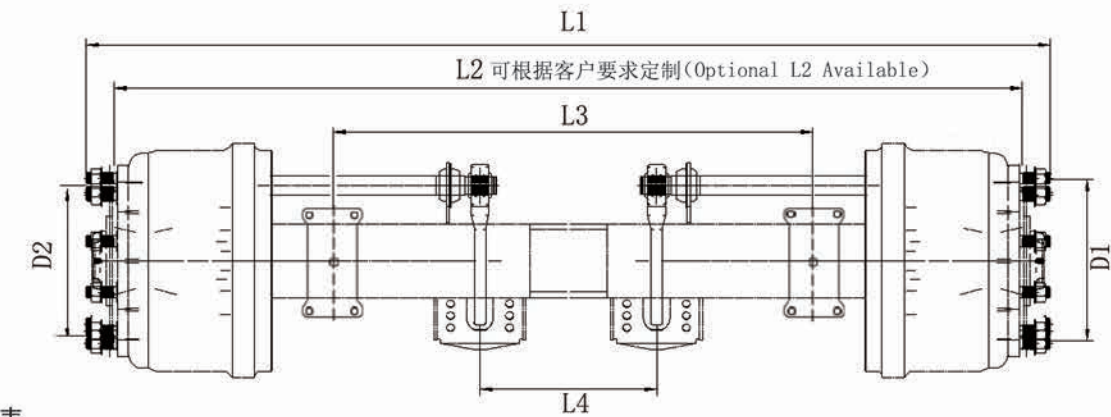
技术参数表

Technical Parameter Table

型号 Axle Type	额定载荷 Rated Loading (T)	轮距 L2 Track (mm)	制动器型号 Brake (mm)	制动器室中心距 L4 Distance of Chamber (mm)	轴管 Axle Beam (mm)	板簧座中心距 L3 Center Distance of Spring Seat (mm)	轮毂轮胎连接 Wheel Fixing			轴承型号 Bearing Inter/Outer	总长 L1 Total Length (mm)	重量 Weight (KG)	推荐轮胎 Recommended Wheel
							连接螺栓 Stud	分布圆 P.C.D D1 (mm)	中心孔直径 D2 Hole Diameter (mm)				
LX8T156A	8T	1560	φ320X120	270	φ121	≥850	6-M27	φ222	160	7514 7813	1880	275	5.5F-16
LX6T156A	6T	1560	φ320X90	270	φ108	≥850	6-M27	φ222	160	7514 7813	1880	275	5.5F-16

备注：(1) 轮距可根据客户要求定制
(2) 车轴可根据需求装配ABS

Note: (1) Track length is optional
(2) Axle is available with ABS according to customers' needs



技术参数表

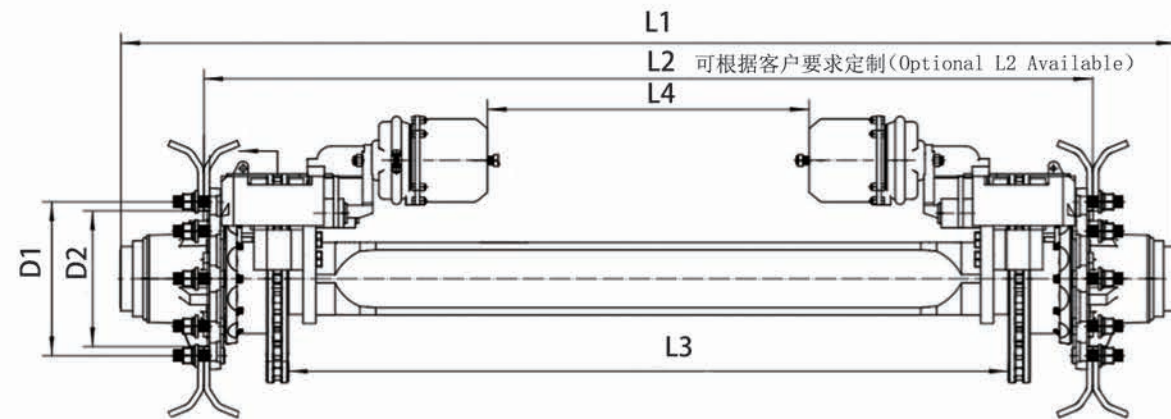
Technical Parameter Table

型号 Axle Type	额定载荷 Rated Loading (T)	轮距 L2 Track (mm)	制动器型号 Brake (mm)	制动器室中心距 L4 Distance of Chamber (mm)	轴管 Axle Beam (mm)	板簧座中心距 L3 Center Distance of Spring Seat (mm)	轮毂轮胎连接 Wheel Fixing			轴承型号 Bearing Inter/Outer	总长 L1 Total Length (mm)	重量 Weight (KG)	推荐轮胎 Recommended Wheel
							连接螺栓 Stud	分布圆 P.C.D D1 (mm)	中心孔直径 D2 Hole Diameter (mm)				
LX-13TS10A8B4	13	2050	420×220	575	150×150×12	≥1140	10-M22×1.5	335	281	HM518445/10 HM518445/10	2200	375	7.0V-20

备注：(1) 轮距可根据客户要求定制
(2) 车轴可根据需求装配ABS

Note: (1) Track length is optional
(2) Axle is available with ABS according to customers' needs

盘式制动车轴
Disc brake axle



技术参数表

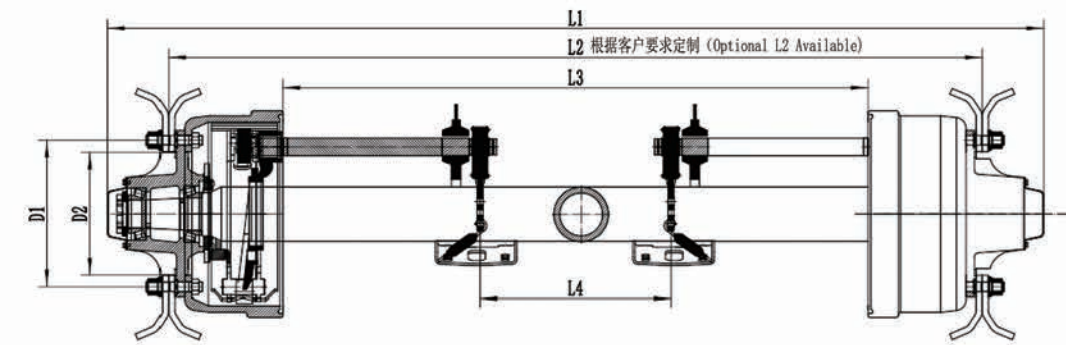
Technical Parameter Table

型号 Axle Type	额定载荷 Rated Loading (T)	轮距 L2 Track (mm)	制动器型号 Brake (mm)	制动室中心距 L4 Distance of Chamber (mm)	轴管 Axle Beam (mm)	刹车盘中心距 L3 Center Distance of brake Disc (mm)	轮毂轮胎连接 Wheel Fixing			轴承型号 Bearing Inter/Outer	总长 L1 Total Length (mm)	重量 Weight (KG)	推荐轮胎 Recommended Wheel
							连接螺栓 Stud	分布圆 P.C.D D1 (mm)	中心孔直径 D2 Hole Diameter (mm)				
LX-13TD10A8B4	10	1840	430×45	670	150×150×11	≥1490	10-M22×1.5	335	281	HM518445/10 HM518445/10	2185	360	6.5V-20
LX-13TD10A8B4	10	1840	430×45	670	φ146×14	≥1490	10-M22×1.5	335	281	HM518445/10 HM518445/10	2185	360	6.5V-20
LX-13TD10A8B4	10	1840	430×45	670	φ127×18	≥1490	10-M22×1.5	335	281	HM518445/10 HM518445/10	2185	360	6.5V-20
LX-13TD10A8B4	10	1840	430×45	670	127×127×13.5	≥1490	10-M22×1.5	335	281	HM518445/10 HM518445/10	2185	360	6.5V-20

备注：(1) 轮距可根据客户要求定制
(2) 车轴可根据需求装配ABS

Note: (1) Track length is optional
(2) Axle is available with ABS according to customers' needs

低平板车轴
Low-bed trailer axle



技术参数表

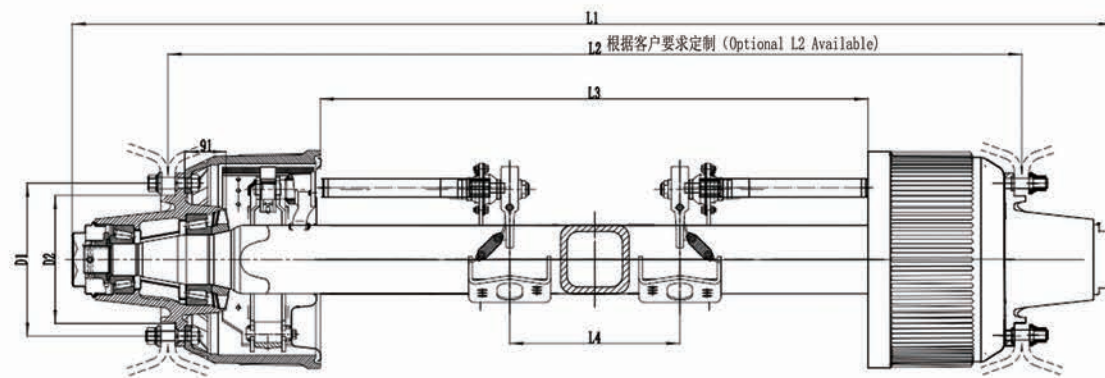
Technical Parameter Table

型号 Axle Type	额定载荷 Rated Loading (T)	轮距 L2 Track (mm)	制动器型号 Brake (mm)	制动室中心距 L4 Distance of Chamber (mm)	轴管 Axle Beam (mm)	板簧座中心距 L3 Center Distance of Spring Seat (mm)	轮毂轮胎连接 Wheel Fixing			轴承型号 Bearing Inter/Outer	总长 L1 Total Length (mm)	重量 Weight (KG)	推荐轮胎 Recommended Wheel
							连接螺栓 Stud	分布圆 P.C.D D1 (mm)	中心孔直径 D2 Hole Diameter (mm)				
LX-R878A88	8	1850	φ420x150	435	φ127×14	≥930	10-M22×1.5	335	281	32215 33213	2130	280	7.5-20
LX-R878A88	8	1850	φ420x180	405	φ127×14	≥930	10-M22×1.5	335	281	32215 33213	2130	280	7.5-20

备注：(1) 轮距可根据客户要求定制
(2) 车轴可根据需求装配ABS

Note: (1) Track length is optional
(2) Axle is available with ABS according to customers' needs

德式车桥
German type axle



技术参数表

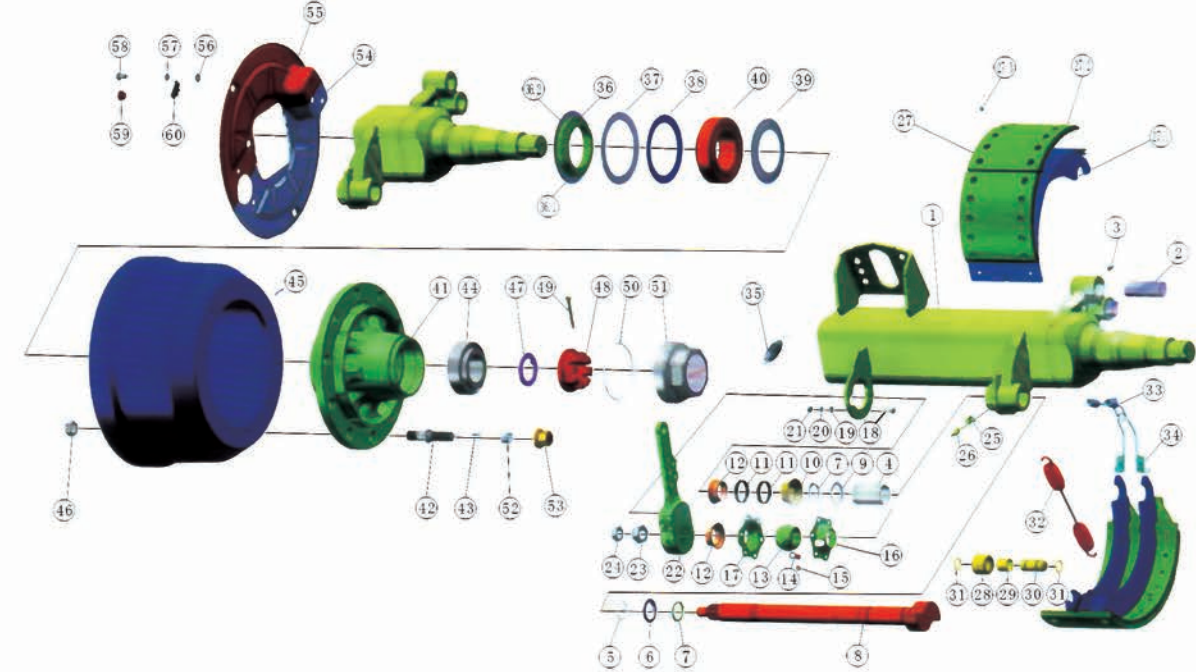
Technical Parameter Table

型号 Axle Type	额定载荷 Rated Loading (T)	轮距 L2 Track (mm)	制动器 型号 L4 Distance of Chamber (mm)	轴管 Axle Beam (mm)	板簧座 中心距 L3 Center Distance of Spring Seat (mm)	轮轴钢制连接 Wheel Fixing			轴承型号 Bearing Inter/Outer	总长 L1 Total Length (mm)	重量 Weight (KG)	推荐轮胎 Recommended Wheel	
						连接螺栓 Stud	分布圆 P.C.D DI (mm)	中心孔 直径 D2 Hole Diameter (mm)					
LX-G12T10A8B3	12	1840	420×180	440	150×150×12	≥940	10-M22×1.5	335	281	33118 33213	2172	380	7.5V-20
LX-G14T10A8B3	14	1850	420×200	380	150×150×14	≥950	10-M22×1.5	335	281	33219 33215	2222	412	7.5V-20
LX-G16T10A8B3	16	1850	420×200	380	150×150×16	≥950	10-M22×1.5	335	281	32222 32314	2293	439	7.5V-20
LX-G18T10A8B3	18	1850	420×200	380	150×150×18	≥950	10-M22×1.5	335	281		2293	454	7.5V-20

备注：(1) 轮距可根据客户要求定制
(2) 车轴可根据需求装配ABS

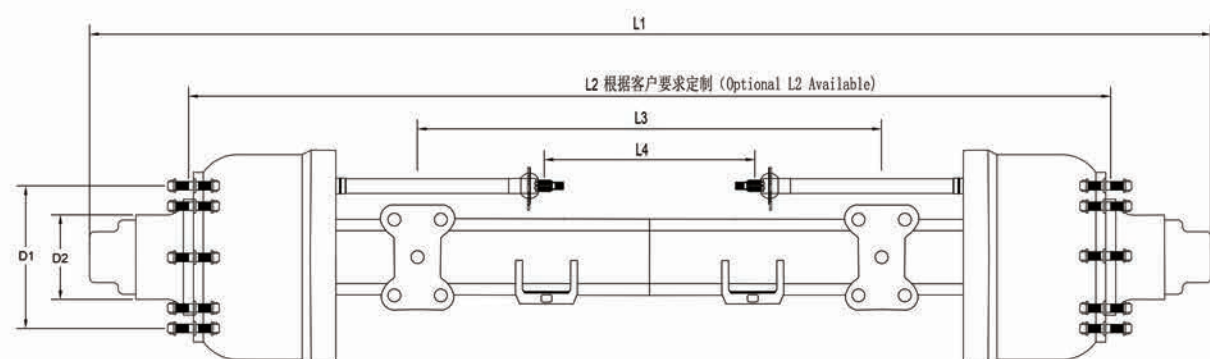
Note: (1) Track length is optional
(2) Axle is available with ABS according to customers' needs

德式车轴图解
German axle exploded view



- | | | |
|----------------------------------|--|---------------------------------------|
| 1. Axle Beam Assembly 车轴焊接总成 | 25. CapI 油杯帽1 | 44. Bearing 轴承 |
| 2. Anchor Pin 制动蹄固定销 | 26. M8x1Grease Nipple M8x1油杯 | 45. Brake Drum 制动鼓 |
| 3. Inner Hexagon Bolt 内六角圆柱端紧定螺钉 | 27. Brake Shoe Assembly 制动蹄总成 | 46. Locknut 锁紧螺母 |
| 4. Cam Bush 凸轮轴衬套 | 27. 1. Brake Shoe Bracket 制动蹄座 | 47. Lock Washer 锁紧垫圈 |
| 5. ORing O形圈 | 27. 2. Brake Lining 摩擦片 | 48. Axle EndL Ocknut 轴承锁紧螺母 |
| 6. Thrust Ring 止推挡环 | 27. 3. Tubular Rivet 扁平头半空心铆钉 | 49. SPLITPIN 开口销 |
| 7. Circlip 轴用卡簧 | 28. Cam Roller 刹车滚轮 | 50. O Ring O形圈 |
| 8. Camshaft 凸轮轴 | 29. Bush 滚销衬套 | 51. Hub Cap 端盖 |
| 9. Nylon Ring 小尼龙圈 | 30. Cam Roller 凸轮滚销 | 52. Wheel Stud Elastic Sleeve 车轮螺栓弹性套 |
| 10. Big-dust Wrapper 大防尘套 | 31. Ring 滚销锁圈 | 53. Wheel Nut 带垫平连接螺母 |
| 11. Circlip 管箍夹 | 32. Return Spring 回位弹簧 | 54. Dust Cover 防尘盖 |
| 12. Middle-dust Wrapper 中防尘套 | 33. Retaining Spring I固定弹簧I | 55. Dust Cover 防尘盖 |
| 13. Cam Bearing 球轴承 | 34. Retaining Spring II固定弹簧II | 56. Washer 平垫圈 |
| 14. CapI1 油杯帽11 | 35. Slack Adjuster Spring 调整臂拉簧 | 57. Spring Washer 弹簧垫圈 |
| 15. Grease Nipple 油杯 | 36. Conical Ring Assembly 锥挡环总成 | 58. M10Bolt M10螺栓 |
| 16. Bearing Box11 球轴承支座11 | 36. 1. Conical Ring 锥挡环 | 59. DustRing 密封环 |
| 17. Bearing BoxI 球轴承支座I | 36. 2. Conical Ring Guard Collar 锥环防护圈 | 60. Plug 视孔胶塞 |
| 18. M8BoltM8 螺栓 | 37. Big Hub Sealing 大轮毂油封 | |
| 19. Washer 平垫圈 | 38. Small Hub Sealing 小轮毂油封 | |
| 20. Spring Washer 弹簧垫圈 | 39. Bearing Oil Baffle 轴承挡油圈 | |
| 21. M8Nut M8螺母 | 40. Bearing 轴承 | |
| 22. Slack Adjuster 调整臂 | 41. Hub 轮毂 | |
| 23. Locknut Washer 锁母垫圈 | 42. Wheel Stud 车轮螺栓 | |
| 24. Cam Locknut 凸轮轴锁母 | 43. Pin 防转销 | |

德式车桥
German type axle



技术参数表

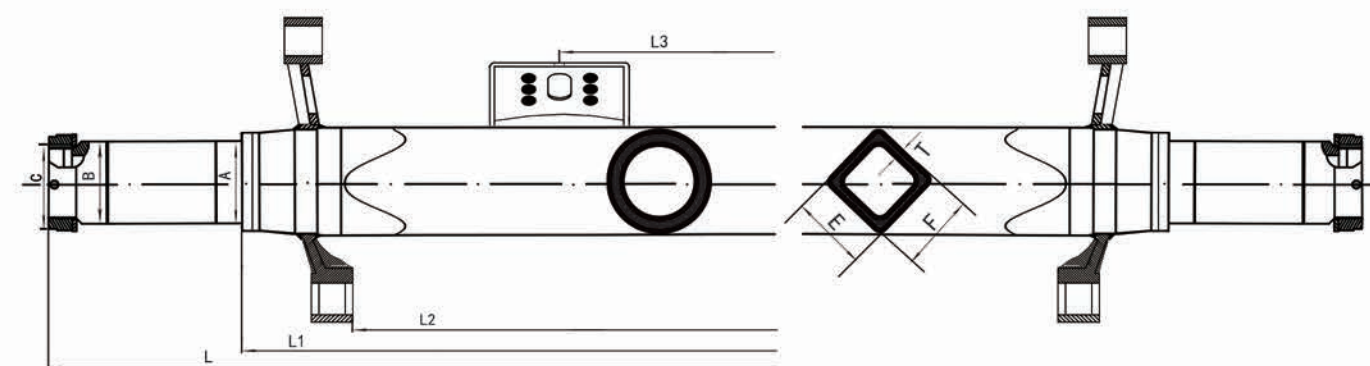
Technical Parameter Table

型号 Axle Type	额定载荷 Rated Loading (T)	轮距 L2 Track (mm)	制动器型号 Brake (mm)	制动室中心距 L4 Distance of Chamber (mm)	轴管 Axle Beam (mm)	板簧座中心距 L3 Center Distance of Spring Seat (mm)	轮毅轮轴连接 Wheel Fixing			轴承型号 Bearing Inter/Outer	总长 L1 Total Length (mm)	重量 Weight (KG)	推荐轮胎 Recommended Wheel
							连接螺栓 Stud	分布圆 P.C.D D1 (mm)	中心孔直径 Hole Diameter (mm)				
LX-G12T10A8B3	11.5	1850	420×180	390	∅127×16	≥940	10-M22×1.5	335	281	218248 33118	2172	380	7.5V-20
LX-G12T10A8B3	11.5	1850	420×220	390	∅127×16	≥940	10-M22×1.5	335	281	218248 33118	2172	380	7.5V-20
LX-G12T10A8B3	11.5	1850	420×180	390	150×150×10	≥940	10-M22×1.5	335	281	218248 33118	2172	380	7.5V-20
LX-G12T10A8B3	11.5	1850	420×220	390	150×150×10	≥940	10-M22×1.5	335	281	218248 33118	2172	380	7.5V-20

备注：(1) 轮距可根据客户要求定制
(2) 车轴可根据需求装配ABS

Note: (1) Track length is optional
(2) Axle is available with ABS according to customers' needs

美式光轴
American axle beam



技术参数表

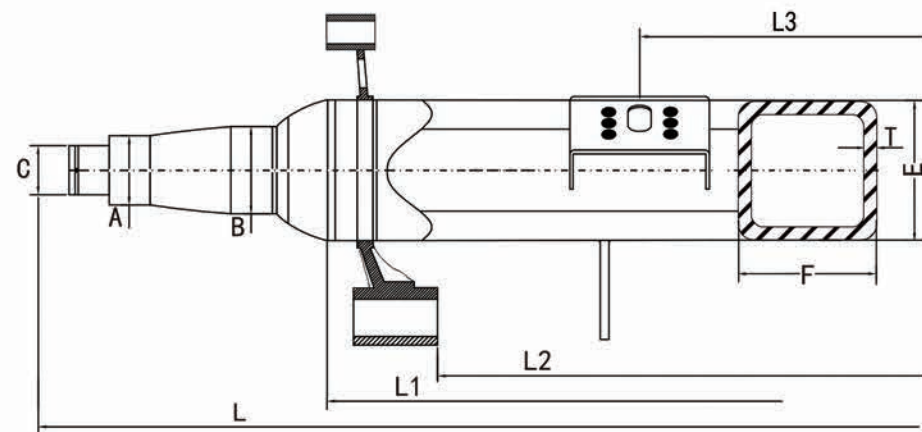
Technical Parameter Table

型号 Axle Type	额定载荷 Rated Loading (T)	A/B (mm)	C (mm)	E*F*T (mm)	L3 (mm)	L2 (mm)	L1 (mm)	L (mm)	重量 (KG) Weight
LX-M13B4	13	88.9/88.9	3.48" -12UNS	150×150×12	390	1296	1644	2108	120
LX-M13B3	13	95/85	M85×2.5	150×150×12	354	1300	1645	2104	120
LX-M14B4	14	88.9/88.9	3.48" -12UNS	150×150×12	350	1258	1644	2108	120
LX-M16B3	16	99.9/88.9	3.48" -12UNS	150×150×14	360	1266	1664	2128	120
LX-M20B3	20	110/88.9	3.48" -12UNS	150×150×16	360	1266	1700	2173	120

备注：(1) 轮距可根据客户要求定制
(2) 车轴可根据需求装配ABS

Note: (1) Track length is optional
(2) Axle is available with ABS according to customers' needs

德式光轴
German axle beam



技术参数表

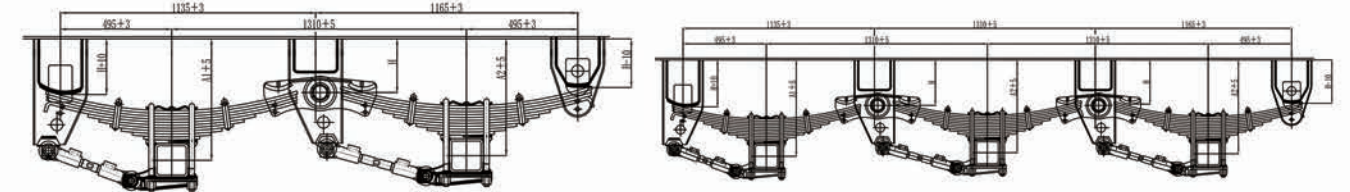
Technical Parameter Table

型号 Axle Type	额定载荷 Rated Loading (T)	A/B (mm)	C (mm)	F*F*T (mm)	L3 (mm)	L2 (mm)	L1 (mm)	L (mm)	重量 (KG) Weight
LX-G12B4	12	90/65	M52×2	150×150×12	440	1459	1534	2122	120
LX-G13B4	13	90/65	M52×2	150×150×12	375	1393	1534	2122	120
LX-G14B3	14	95/75	M60×2	150×150×14	380	1314	1463	2155	120
LX-G16B3	16	110/70	M60×2	150×150×16	380	1342	1470	2225	120

备注: (1) 轮距可根据客户要求定制
 (2) 车轴可根据需求装配ABS

Note: (1) Track length is optional
 (2) Axle is available with ABS according to customers' needs

美式悬挂
American type suspension



技术参数表

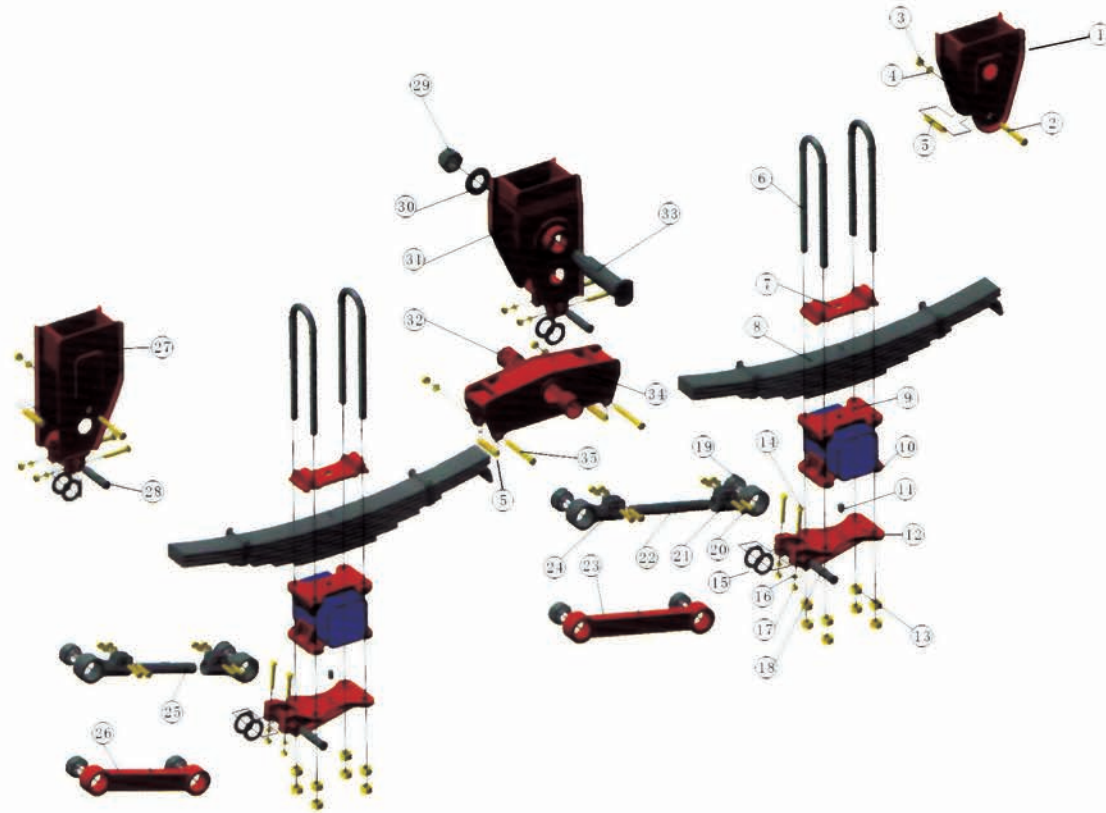
Technical Parameter Table

型号 Model	A1 (mm)	A2 (mm)	H (mm)	额定载荷 Capacity
LX-M13T130	415	406	130	两桥悬挂: 13T×2 三桥悬挂: 13T×3 Two axle suspension: 13T×2 Three axle suspension: 13T×3
LX-M13T150	435	426	150	
LX-M13T180	465	456	180	
LX-M13T210	495	486	210	
LX-M13T230	515	506	230	
LX-M13T250	535	526	250	
LX-M13T270	555	546	270	
LX-M13T300	585	576	300	
LX-M13T320	605	696	320	
LX-M13T350	635	626	350	

备注: 1、“A”为空载时尺寸, 额定载荷尺寸A*=A-30
 2、平衡臂侧板材质 T510/Q345可选, 厚度
 3、支架材质T510/Q345可选, 厚度4/4.7
 4、U型螺栓45#;
 5、板簧总成为 90×13 x10, 板簧片数可选。
 6、支架高度差为H+10/H/H/H-10;
 7、平衡臂销轴Φ50mm、Φ60mm、Φ70n
 8、装配方桥、圆桥可选。

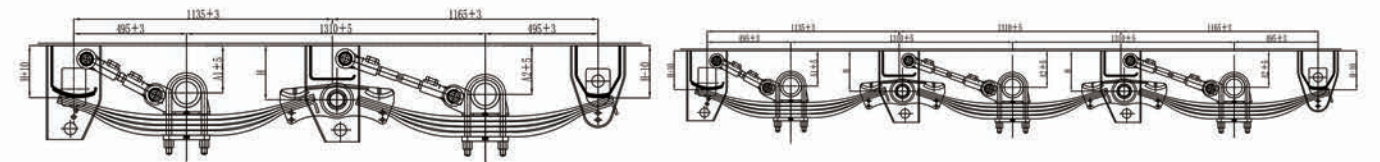
Note: 1、Dimension“A”:Unladen, Rated load size“A*=A-30”
 2、The side plate of balance arms made from T510/Q345, and is 8/10 mm thick
 3、Supports are made from T510/Q345; their thickness is 4/4.75/5.75/8/10 (optional)
 4、U bolts 45#
 5、Plate spring assembly is 90 ×13x10, Spring Quantity is Optional.
 6、Support height diferent is H+10/H/H/H-10
 7、The pin shaf arm is optional from Φ50, Φ60 and Φ70;
 8、Square bridge and round bridge for assembly (optional)

美式机械悬挂图解
 American suspension exploded view



- | | |
|---|--|
| 1. Rear Hanger 后支架 | 19. Shock- Proof Bush 连杆防震套 |
| 2. Hexagon Headed Bolt MI6x130 六角头螺栓M16x130 | 20. Hexagon Headed Bolt MI4x60 六角头螺栓M14x60 |
| 3. Hexagon Nut MI6六角螺母M16 | 21. Adjustable Torque Arm EndR/H 连杆接头(右) |
| 4. Spring Washer ϕ 16 弹簧垫圈 ϕ 16 | 22. Adjustable Torque Arm ScrewI 连杆I |
| 5. Sleeve 套管 | 23. Fixed Torque Arm Assembly II 固定连杆II |
| 6. U-bolt U型螺栓 | 24. Adjustable Torque Arm EndL/H 连杆接头(左) |
| 7. Cover Plate Spring 压板 | 25. Adjustable Torque Arm ScrewI 连杆I |
| 8. Leaf Spring Assembly 钢板弹簧 | 26. Fixed Torque Arm AssemblyI 固定连杆I |
| 9. Upper Axle Seat 上支板 | 27. Front Hanger 前支架 |
| 10. Lower Axle Seat 下支板 | 28. Torque ArmPin 支架接头轴 |
| 11. Dowel 定位销 | 29. Lock Nut M42x3 锁紧螺母M42x3 |
| 12. Bracket 托架 | 30. Washer ϕ 42 端板 |
| 13. Hexagon Nut M24x2 六角螺母M24x2 | 31. Middle Hanger 中支架 |
| 14. Hexagon Headed Bolt MI4x85六角头螺栓M14x85 | 32. Equalizer Bush 轴套(复合套) |
| 15. Seal Washer 密封垫 | 33. Equalizer Pin 平衡梁轴(配复合套) |
| 16. Spring Washer ϕ 14 弹簧垫圈 ϕ 14 | 34. Equalizer 平衡梁 |
| 17. Hexagon Nut MI4 六角螺母M14 | 35. Hexagon Headed Bolt MI6x140 六角头螺栓M16x140 |
| 18. Bracket Coupling Pin 托架接头轴 | |

美式反装悬挂
 American rear mounting suspens



技术参数表

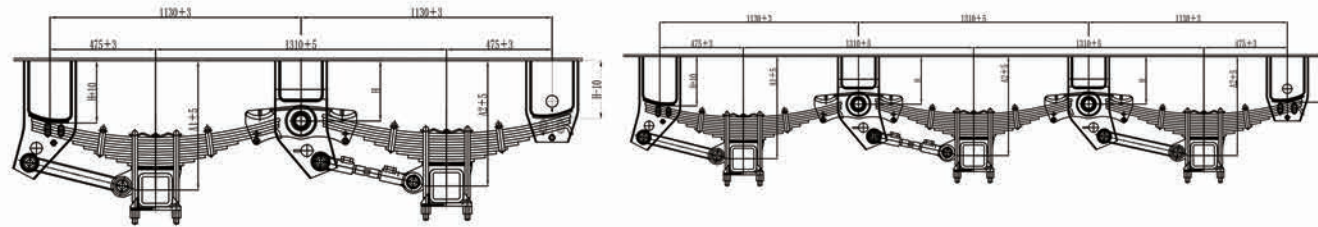
Technical Parameter Table

型号Model	A1 (mm)	A2 (mm)	H (mm)	额定载荷 Capacity
LX-MF13T230	200	207	230	两桥悬挂: 13T×2 三桥悬挂: 13T×3
LX-MF13T250	220	227	250	
LX-MF13T270	240	257	270	
LX-MF13T300	270	287	300	Two axle suspension: 13T×2 Three axle suspension: 13T×3
LX-MF13T320	290	307	320	
LX-MF13T350	320	337	350	

备注:1、“A”为空载时尺寸, 额定载荷尺寸A*=A-30
 2、平衡臂侧板材质 T510/Q345可选, 厚度
 3、支架材质T510/Q345可选, 厚度4/4.7
 4、U型螺栓45#;
 5、板簧总成为 90×13 x10, 板簧片数可选。
 6、支架高度差为H+10/H/H/H-10;
 7、平衡臂销轴 ϕ 50mm、 ϕ 60mm、 ϕ 70n
 8、装配方桥、圆桥可选。

Note:1、Dimension“A”:Unladen, Rated load size“A*=A-30”
 2、The side plate of balance arms made from T510/Q345, and is 8/10 mm thick
 3、Supports are made from T510/Q345; their thickness is 4/4.75/5.75/8/10 (optional)
 4、U bolts 45#
 5、Plate spring assembly is 90 ×13x10, Spring Quantity is Optional.
 6、Support height diferent is H+10/H/H/H-10
 7、The pin shaf arm is optional from ϕ 50, ϕ 60 and ϕ 70;
 8、Square bridge and round bridge for assembly (optional)

美式轻型悬挂
 American light-type suspension



技术参数表

Technical Parameter Table

型号Model	A1 (mm)	A2 (mm)	H (mm)	额定载荷 Capacity
LX-MQ13T110	422	403	110	两桥悬挂: 13T×2 三桥悬挂: 13T×3 Two axle suspension: 13T×2 Three axle suspension: 13T×3
LX-MQ13T130	442	426	130	
LX-MQ13T150	462	443	150	
LX-MQ13T180	492	473	180	
LX-MQ13T210	522	503	210	
LX-MQ13T230	542	523	230	
LX-MQ13T250	562	543	250	
LX-MQ13T270	582	563	270	
LX-MQ13T300	612	593	300	
LX-MQ13T320	632	613	320	
LX-MQ13T350	662	643	350	

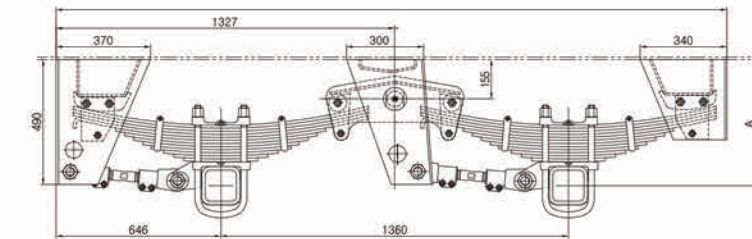
备注:1、“A”为卸载时尺寸,额定载荷尺寸A*=A-30”

- 平衡臂侧板材质 T510/Q345可选,厚度
- 支架材质T510/Q345可选,厚度4/4.7
- U型螺栓45#;
- 板簧总成为 90×13 x10,板簧片数可选。
- 支架高度差为H+10/H/H/H-10;
- 平衡臂销轴Φ50mm、Φ60mm、Φ70n
- 装配方桥、圆桥可选。

Note:1、Dimension“A”:Unladen, Rated load size“A*=A-30”

- The side plate of balance arms made from T510/Q345, and is 8/10 mm thick
- Supports are made from T510/Q345; their thickness is 4/4.75/5.75/8/10 (optional)
- U bolts 45#
- Plate spring assembly is 90 ×13x10 ,Spring Quantity is Optional.
- Support height diferent is H+10/H/H/H-10
- The pin shaf arm is optional from Φ50, Φ60 and Φ70;
- Square bridge and round bridge for assembly (optional)

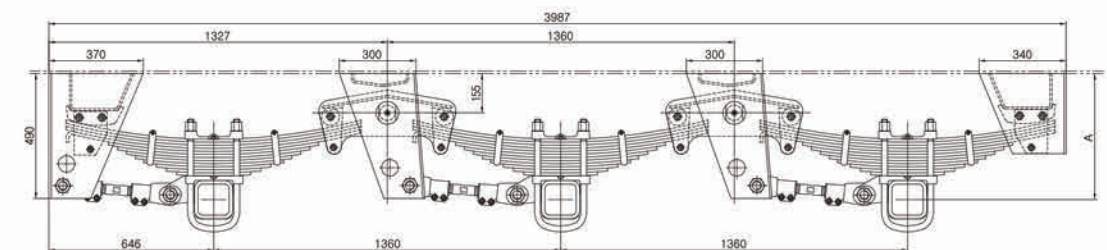
德式悬挂
 German type suspension



两桥悬挂技术参数表

Two Suspension Technical Parameter Table

型号Model	支架厚度 Hanger Wall Thickness (mm)	板簧片数 Leaf spring Piece (mm)	板簧厚度 Leaf Spring Thickness (mm)	A (mm)	承载能力 Capacity (T)
LX-G14T284	8	12	12	490	14X2
LX-G16T210	10	12	12	490	16X2
LX-G16T285	8	14	12	511	16X2



三桥悬挂技术参数表

Three Axle Suspension Technical Parameter Table

型号Model	支架厚度 Hanger Wall Thickness (mm)	板簧片数 Leaf spring Piece (mm)	板簧厚度 Leaf Spring Thickness (mm)	A (mm)	承载能力 Capacity (T)
LX-G14T384	8	12	12	490	14X3
LX-G16T310	10	12	12	490	16X3
LX-G16T385	8	14	12	511	16X3

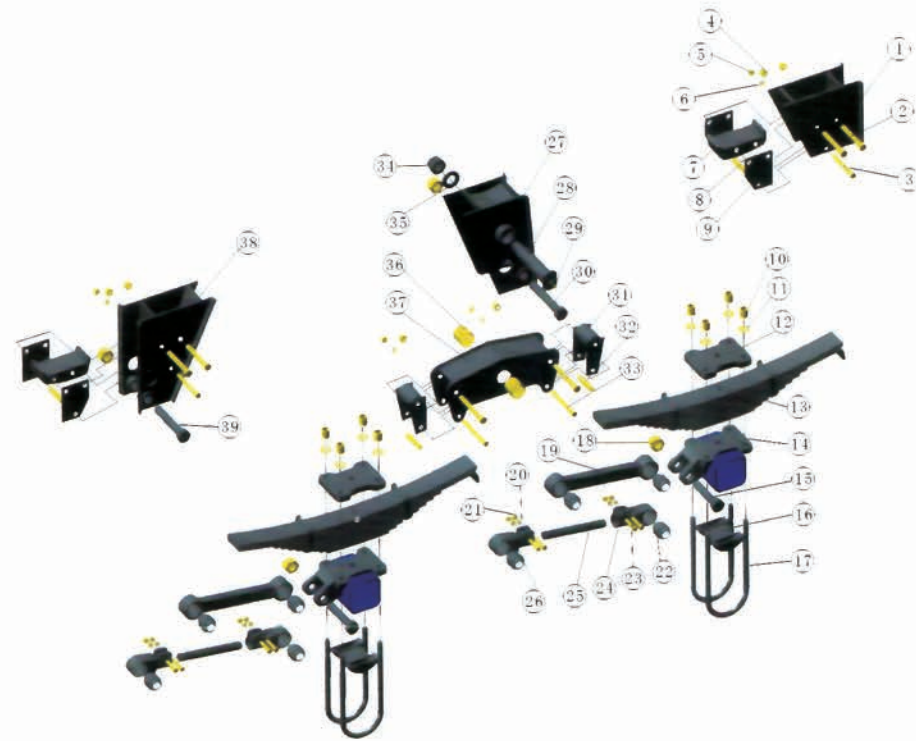
备注:①“A”为卸载时尺寸

- 额定载荷时尺寸“A*=A-30”(仅供参考)
- 板簧片数可选择

Remarks:①“A” is the size under no load

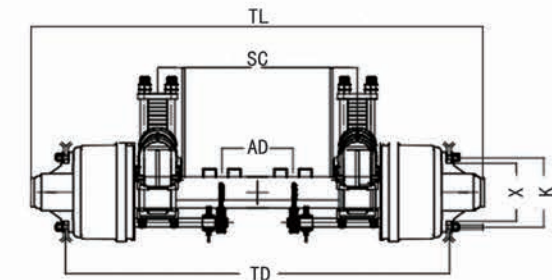
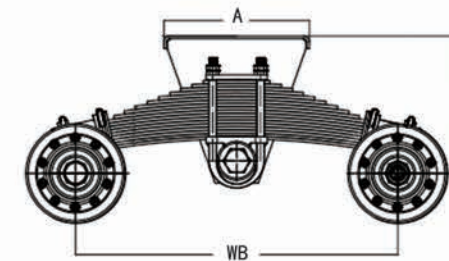
- Size under rated load “A*=A-30” (for reference only)
- Optional quantity of plate springs

德式机械悬挂图解
German suspension exploded view



- | | |
|---|---|
| 1. Rear Hanger 后支架 | 21. Hexagon NutM14 六角螺母M14 |
| 2. Hexagon Headed Bolt M20x160 六角螺栓M20x 160 | 22. Shock-proof Bush 连杆防震套 |
| 3. Hexagon Headed Bolt M16x160 六角螺栓M16x160 | 23. Hexagon Headed Bolt M14x70 六角螺栓M14X70 |
| 4. Lock Nut M20 自锁螺母M20 | 24. Adjustable Torque ArmEnd R/H 连杆接头(右) |
| 5. Hexagon Nut M16 六角螺母M16 | 25. Adjustable Torque Arm Screw 连杆 |
| 6. Spring Washer φ16弹簧垫圈 φ 16 | 26. Adjustable Torque ArmEndL/H 连杆接头(左) |
| 7. Hanger Spacer 支架垫块 | 27. Middle Hanger 中支架 |
| 8. Sleeve 内轴套 | 28. EqualizerPin 平衡梁轴 |
| 9. Reinf OrcIng Plate 加强板 | 29. Grease Cup 油杯 |
| 10.Hexagon Nut M24x2 U型螺栓螺母M24x2 | 30. Hexagon Headed Bolt M36x225 六角螺栓M36X225 |
| 11.Washer φ24 平垫圈 φ24 | 31. Reinforcing Bracet For Equalizer 平衡梁加强板 |
| 12.Cover Plate Spring 上支板 | 32. Hexagon Headed Bolt M20X170 六角螺栓M20X170 |
| 13.Leaf Spring Assemby 钢板弹簧 | 33. Hexagon Headed Bolt M16x170 六角螺栓M16x170 |
| 14.Bracket 拖架 | 34. Lock Nut M42x3 自锁螺母M42x3 |
| 15.Hexagon Headed Bolt M36x165 六角螺栓M36x165 | 35. Washer φ42 端板φ42 |
| 16.Lower Axle Seat U型螺栓垫板 | 36. EqualizerBush 复合套 |
| 17.U-bolt U型螺栓 | 37. Equalizer 平衡梁 |
| 18.Lock Nut M36 自锁螺母M36 | 38. Front Hanger 前支架 |
| 19.Fixed Torque Arm Assembly 固定连杆 | 39. Hexagon Headed Bolt M36X205 六角螺栓M36X205 |
| 20.Spnnng Washer φ14 弹簧垫圈 φ14 | |

单点悬挂
Bogie suspension



技术参数表

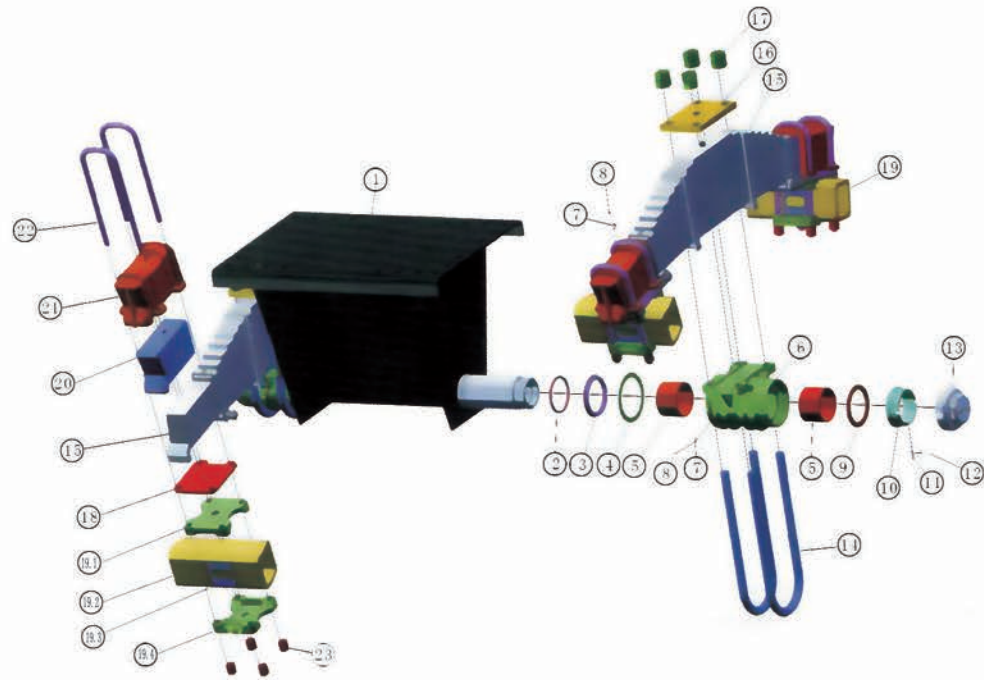
Technical Parameter Table

单点悬挂型号 Item	额定载荷 Capacity (T)	轮距 TD Track (mm)	轴管 Axle Beam (mm)	制动器 Brake (mm)	弹簧座 中心距 SC Spring Center (mm)	轴距 WB Wheel Base (mm)	制动气室 中心距 AD Distance Of Chamber (mm)	轴承 Bearing	连接螺栓 Sted	分布圆/ 定位中心 (K/X) P. C. D. / Pilot Hole Diameter (mm)	工作台长宽 (AxB) Table Dimension	工作台 中心高 H Height of Pedesta l	轮圈 Rim	板簧宽度 /片数 Spring Wide/QTY (mm)	重量 Weight (KG)	总长度 TL Total Length (mm)
LX-GB2418	24	1840	150×150	420×180	980	1400	422	33213 33118	10-M22×1.5	335/281	700×980	600	7.50V-20	90/18	≈1980	2158
LX-GB2420	24	1840	150×150	420×200	900	1400	422	33213 33118	10-M22×1.5	335/281	700×980	600	7.50V-20	90/18	≈2020	2188
LX-GB2422	24	1840	150×150	420×220	900	1550	342	518445/10 518445/10	10-M22×1.5	335/281	700×980	600	7.50V-20	90/18	≈2020	2188
LX-GB2820	28	1840	150×150	420×200	900	1550	342	33215 32219	10-M22×1.5	335/281	700×980	600	8.0V-20	120/19	≈2040	2228
LX-GB3220	32	1840	150×150	420×200	900	1550	380	32222 32314	10-M22×1.5	335/281	700×980	660	8.50V-20	120/17	≈2490	2250
LX-GBL3220	32	1854	150×150	420×200	900	1550	380	32222 32314	10-M22×1.5	335/281	700×980	660	8.50V-20	120/17	≈2490	2235
LX-GB3222	32	1850	150×150	420×220	900	1550	348	518445/10 220149/10	10-M22×1.5	335/281	700×980	600	8.50V-20	120/17	≈2430	2200

备注: (1) 轮距可根据客户要求定制
(2) 车轴可根据需求装配ABS

Note: (1) Track length is optional
(2) Axle is available with ABS according to customers' needs

单点悬挂图解
 Bogie suspension exploded view



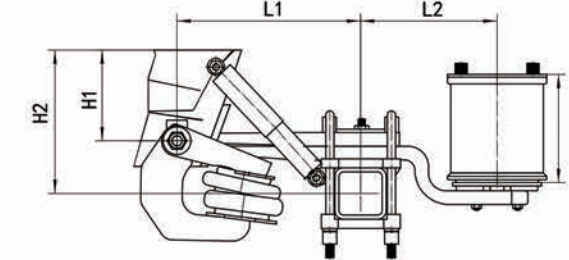
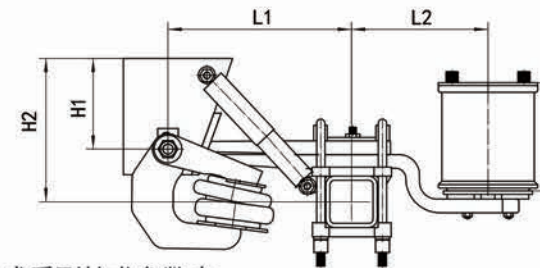
- | | |
|--|---|
| 1. Bogie Bracket Welding Assembly 安装托架焊接总成 | 14. U-bolt U型螺栓11 |
| 2. Spacing Ring 限位环 | 15. Leaf Spring 钢板弹质组件 |
| 3. Oil Sealing Bracket 油封环套 | 16. U-boltSeat U型螺栓安装板(板簧压板) |
| 4. OilSealing 油封环 | 17. Nut11 螺母I |
| 5. Bush 平衡轴承(钢套双金属铜套) | 18. SpringSeat Plate钢板簧垫板 |
| 6. Balance Shaft Bracket 平衡支座(承载座) | 19. Axle Assembly With Spring Seat 带座车轴总成 |
| 7. Cap油杯帽 | 19. 1. Up SpringSeat 上钢板簧座 |
| 8. Grease Nipple 油杯 | 19. 2. Axle Assembly 车轴总成 |
| 9. Ring 挡环 | 19. 3. Spring Seat Fixing Plate 钢板簧座固定板(筋板) |
| 10. Balance Shaft Nut 平衡轴螺母(中轴螺母) | 19. 4. Down SpringSeat 下钢板簧座 |
| 11. Bolt 销轴 | 20. Spring Cushion 钢板簧减震垫 |
| 12. Splitpin 开口销 | 21. leaf Spring Bracket Casing 钢板簧座 |
| 13. Balance ShaftCap 平衡轴端盖(中轴盖) | 22. U-bolt U型螺栓 |
| | 23. NutI锁紧螺母 |

空气悬挂
 Air suspension



美式系列
 American type

德式系列
 German type



美式系列技术参数表

American Type Technical Parameter Table

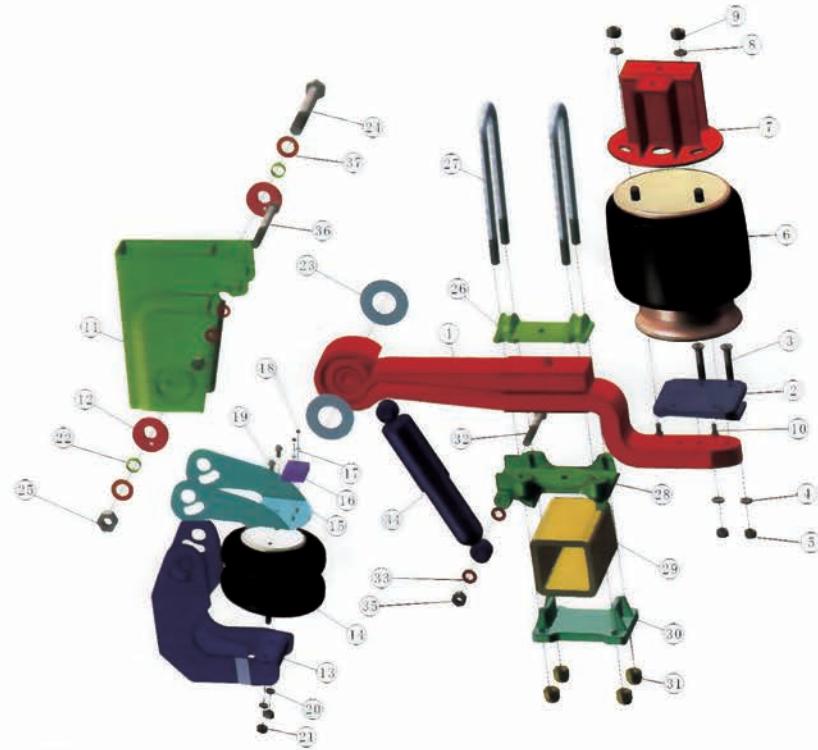
型号 Model	提升 Axle Lift	载荷 Rated Load (T)	桥杆 Axle Beam (mm)	板簧 Leaf Spring (mm)	气囊参数 Air Bage Spec	L1 (mm)	L2 (mm)	H1 (mm)	H2 (mm)	H3 (mm)
LX-MK112R1	No	11	∅27	2-100X38	350	500	380	296	206	230
LX-MK112R2	No	11	∅27	2-100X38	350	500	380	296	206	335
LX-MK112R3	No	11	∅27	2-100X38	350	500	380	296	442	335
LX-MK111R	Yes	11	∅27	2-100X38	350	500	360	276	210	257
LX-MK112R	No	11	∅27	2-100X38	350, 260	500	380	251	400	407
LX-MK112S1	No	11	150X150	2-100X38	350	550	380	231	400	413
LX-MK112S2	No	11	150X150	2-100X38	350, 260	550	380	231	400	413

德式系列技术参数表

German Type Technical Parameter Table

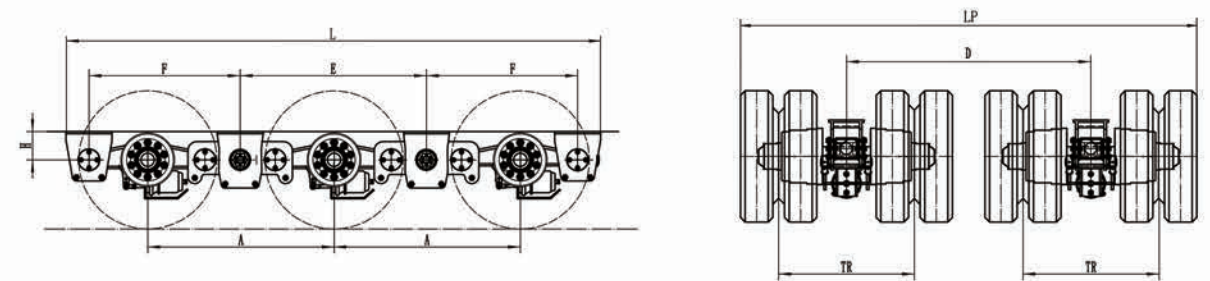
型号 Model	提升 Axle Lift	载荷 Rated Load (T)	桥杆 Axle Beam (mm)	板簧 Leaf Spring (mm)	气囊参数 Air Bage Spec	L1 (mm)	L2 (mm)	H1 (mm)	H2 (mm)	H3 (mm)
LX-GK91S	Yes	9	120X120	1-100X50	350/300, 260	500	380	268	426	318
LX-GK92R1	No	9	∅27	1-100X50	350/300	500	380	268	210	318
LX-GK92R2	No	9	∅27	1-100X50	350/300	500	380	268	426	318
LX-GK91R	Yes	9	∅27	1-100X50	350/300, 260	500	380	268	210	318
LX-GK91R	Yes	9	∅27	1-100X50	350/300, 260	500	380	268	426	318
LX-GK111S	Yes	11	150X150	2-100X40	350, 26	550	358	268	444	423
LX-GK112S	No	11	150X150	2-100X40	350	550	385	268	444	423
LX-GK111R	Yes	11	∅27	2-100X40	350, 26	550	385	268	422	423
LX-GK112R	No	11	∅27	2-100X40	350	550	385	268	422	423

空气悬挂图解
Air suspension exploded view



- | | | |
|--|--|--|
| 1. Oriented Arm 导向臂 | 31. Self-Locking ut 自锁螺母M22 | |
| 2. Plate Components 垫板组件 | 32. Hex Headed Bolt 六角螺栓M20 | |
| 3. Hex Countersunk Head Screw 内六角沉头螺钉M16 | 33. FiatWasher 平垫圈20 | |
| 4. Flat Gasket 自锁螺母M16 | 34. Shock Absorber 减震器 | |
| 5. Hex Nuts 六角螺母 | 35. Selt-Locking Nut 自锁螺母M20 | |
| 6. Bearing Air Spring 空气弹簧 | 36. Hex Headed Bolt 六角螺栓M20 | |
| 7. Rear Hanger 后支架 | 37. FiatWasher 平垫圈(二) | |
| 8. Spring Washer 弹簧垫圈20 | The Lifting Part 提升部分 | |
| 9. Air Spring Fastening Nut 空气弹簧紧固螺母 | If use the ifting, M30x240 Stud Would Instead of M30x220 | |
| 10. Air Spring Fastening Bolt 空气弹簧紧定螺栓 | 注:带提升的用M30x240螺栓代替上表M30x220螺栓 | |
| 11. Front Hanger 前支架 | 13. Lower Connection Plate 下连接座 | |
| 12. O Ring 偏心垫圈 | 14. Lifting Air Spring 空气弹簧 | |
| 22. Axte Sleeve 轴套 | 15. Upper Connection Board 上连接板 | |
| 24. Hex Headed Bolt 六角螺栓M30 | 16. Rubbermat 胶垫 | |
| 25. Self-Locking Nut 自锁螺母M30 | 17. FlatWasher 平垫圈6 | |
| 26. Cover Plate Spring 压板 | 18. Seif-Locking Nut 自锁螺母M6 | |
| 27. U-bolt U型螺栓 | 19. Air Spring Fastening Bolt 空气弹簧紧定螺栓 | |
| 28. Upper AxleSeat 上支板 | 20. Spring Washer 弹簧垫圈14 | |
| 29. Axle 车轴 | 21. Hex Nuts 六角螺母 | |
| 30. Lower Axle Seat 下支板 | 23. Wear-Resistant Plate 耐磨板 | |

三线六轴悬挂
Three-line Six-Axle suspension axle



技术参数表

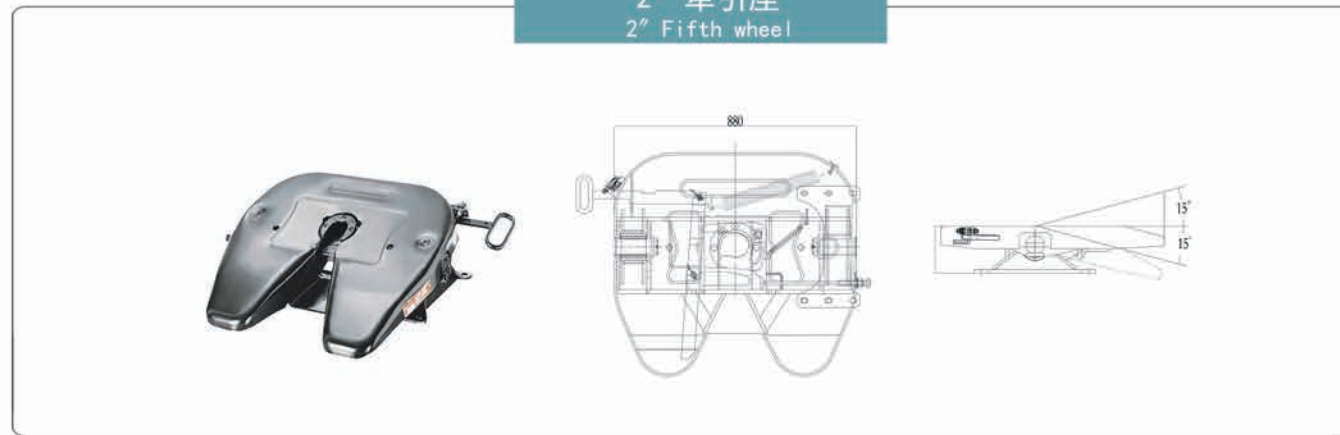
Technical Parameter Table

型号 Model	额定载荷 Rated load (Kg)	轴距 A Wheel Base (mm)	轮距 TR Track (mm)	总长 L Total Length (mm)	大梁中心距 D Central Distance (mm)	总宽 LP Total Width (mm)	支架中心高 H Central Height Of Hanger (mm)	B (mm)	E (mm)	F (mm)	制动单元 Brake	前后摆角 Front And Right Swing	左右摆角 Left And Right Swing	轮轴配合尺寸 Wheel Fixing	配合轮轴 Wheel Rim	配合轮胎 Type
LX-S10TM	60000	1220	865	3500	1600	2970	180-340	230	1220	990	Φ311×190	7°	7° (230)	10-M22×1.5×225	6.5-15 17.6×6.75	8.25-15 9R17.5
LX-S10TB	60000	1320	965	3800	1800	3385	180-340	220	1320	1090	Φ420×180	7°	5° (230)	10-M22×1.5×325	7.5-20	10.00-20
LX-S10TC	60000	1220	900	3500	1600	3000	180-340	200	1220	990	Φ420×180	7°	5° (230)	10-M22×1.5×325	6.5-20	8.25-20
LX-S10TD	60000	1320	940	3800	1730	3260	180-340	200	1320	1090	Φ420×180	7°	5° (230)	10-M22×1.5×325	7.5-20	9.00-20
LX-S10TE	60000	1320	940	3800	1700	3200	180-340	195	1320	1090	Φ420×180	7°	5° (230)	10-M22×1.5×325	7.0T-20	9.00-20
LX-S15TB	80000	1320	1055	3960	1935	3650	220-380	220	1320	1090	Φ420×220	7°	5° (230)	10-M22×1.5×325	8.5-20	12.00-20

备注: (1) 轮距可根据客户要求定制
(2) 车轴可根据需求装配ABS

Note: (1) Track length is optional
(2) Axle is available with ABS according to customers' needs

2" 牵引座
2" Fifth wheel

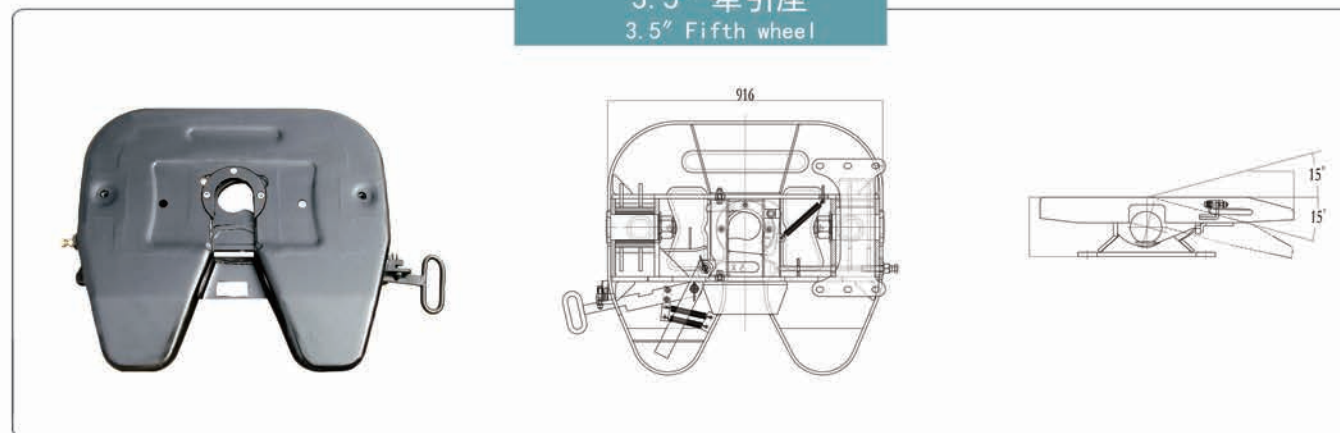


技术参数表

Technical Parameter Table

型号 Item	额定载荷 Rated Load (T)	安装高度 Height	纵向摆角 Oscillations	厚度 Thickness	D值 D-value
LX-FW5085	18	185	15	8mm	165
LX-FW5073	18	173	15	8mm	165
LX-FW5065	18	165	15	8mm	165

3.5" 牵引座
3.5" Fifth wheel

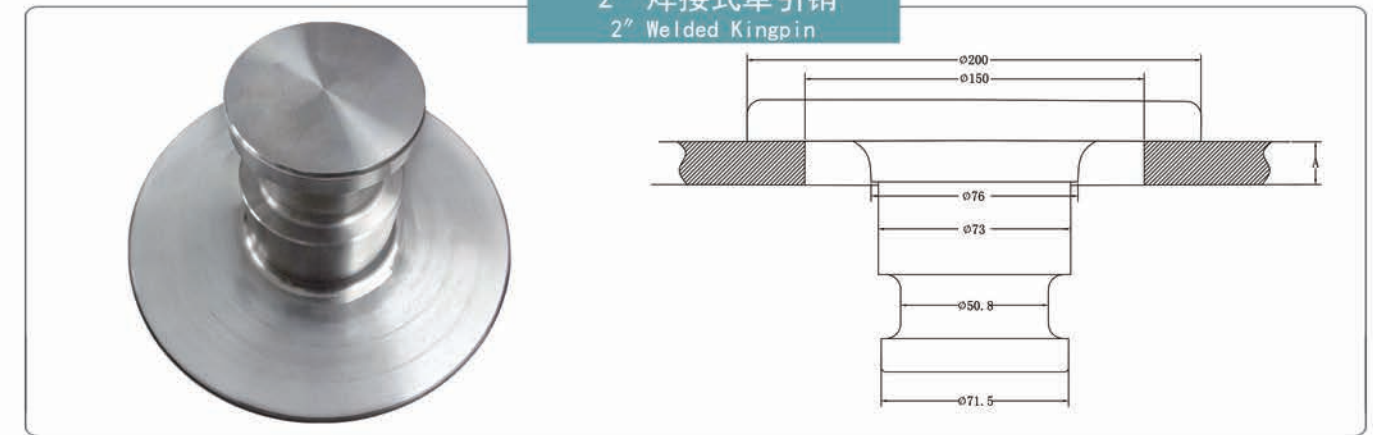


技术参数表

Technical Parameter Table

型号 Item	额定载荷 Rated Load (T)	安装高度 Height	纵向摆角 Oscillations	厚度 Thickness	D值 D-value
LX-FW9067	25	167	15	8mm	176
LX-FW9085	28	185	15	8mm	170
LX-FW9090	40	290	15	10mm	260

2" 焊接式牵引销
2" Welded Kingpin

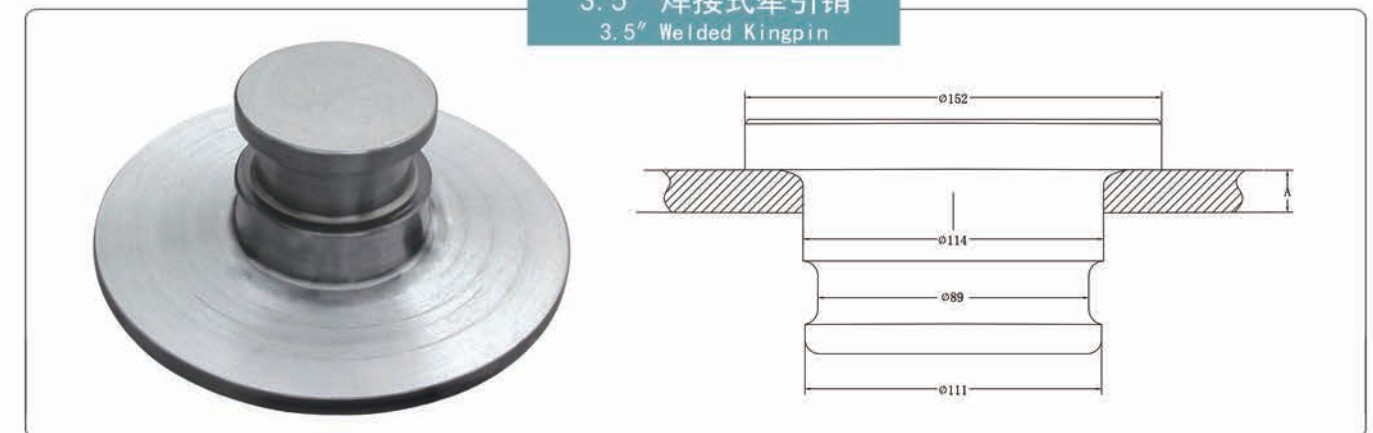


技术参数表

Technical Parameter Table

型号 Item	厚度 Thickness	D值 D-value
LX-H5010	10mm	108
LX-H5012	12mm	108

3.5" 焊接式牵引销
3.5" Welded Kingpin

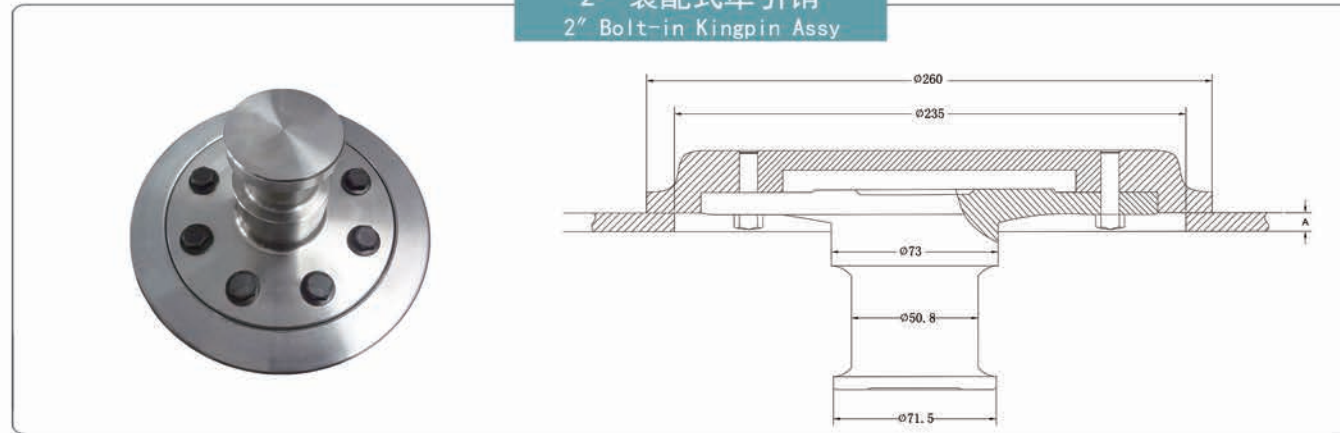


技术参数表

Technical Parameter Table

型号 Item	厚度 Thickness	D值 D-value
LX-H9010	10mm	174
LX-H9012	12mm	174

2" 装配式牵引销
2" Bolt-in Kingpin Assy

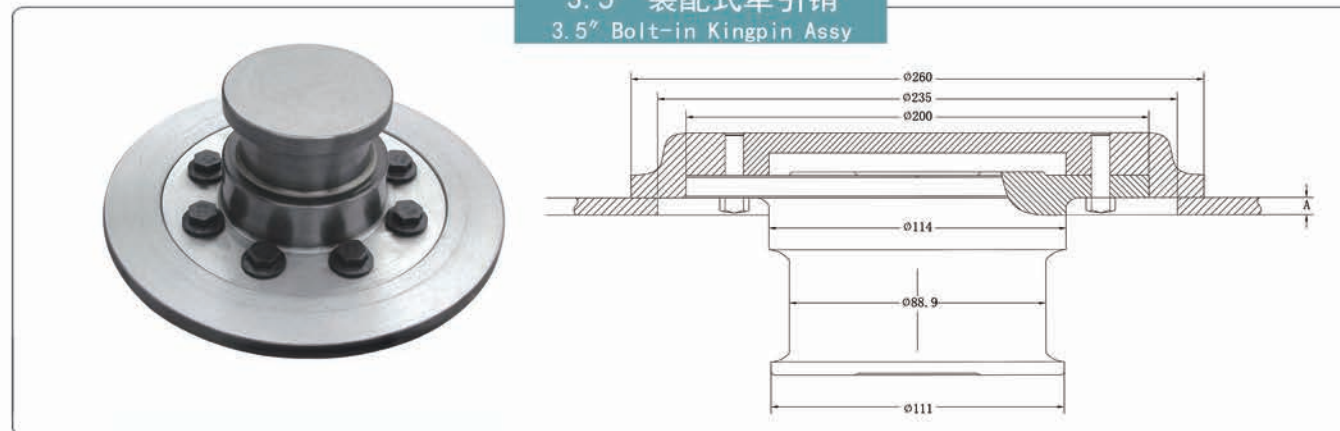


技术参数表

Technical Parameter Table

型号 Item	厚度 Thickness	D值 D-value
LX-Z5010	10mm	162
LX-Z5012	12mm	162

3.5" 装配式牵引销
3.5" Bolt-in Kingpin Assy

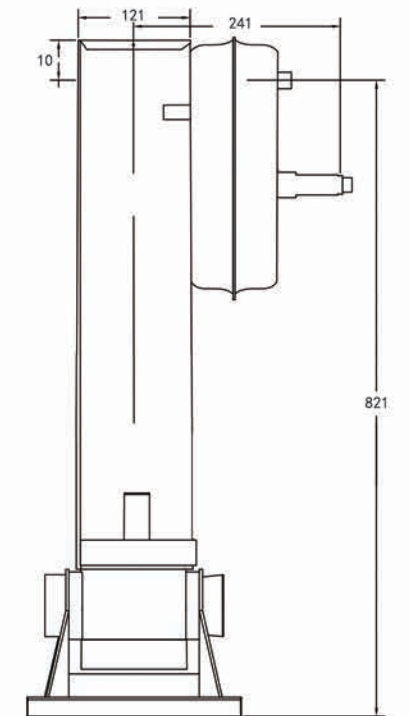
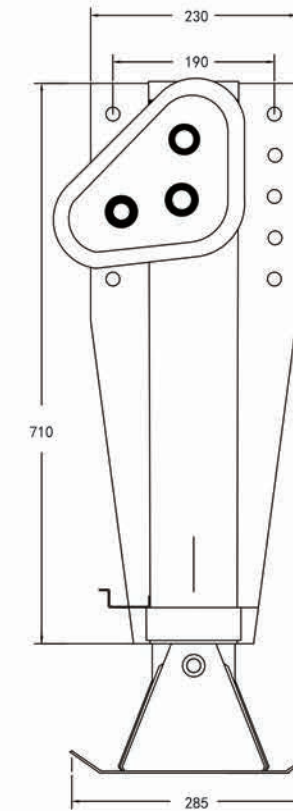


技术参数表

Technical Parameter Table

型号 Item	厚度 Thickness	D值 D-value
LX-Z9010	10mm	174
LX-Z9012	12mm	174

外置单动支腿
Outboard landing gear

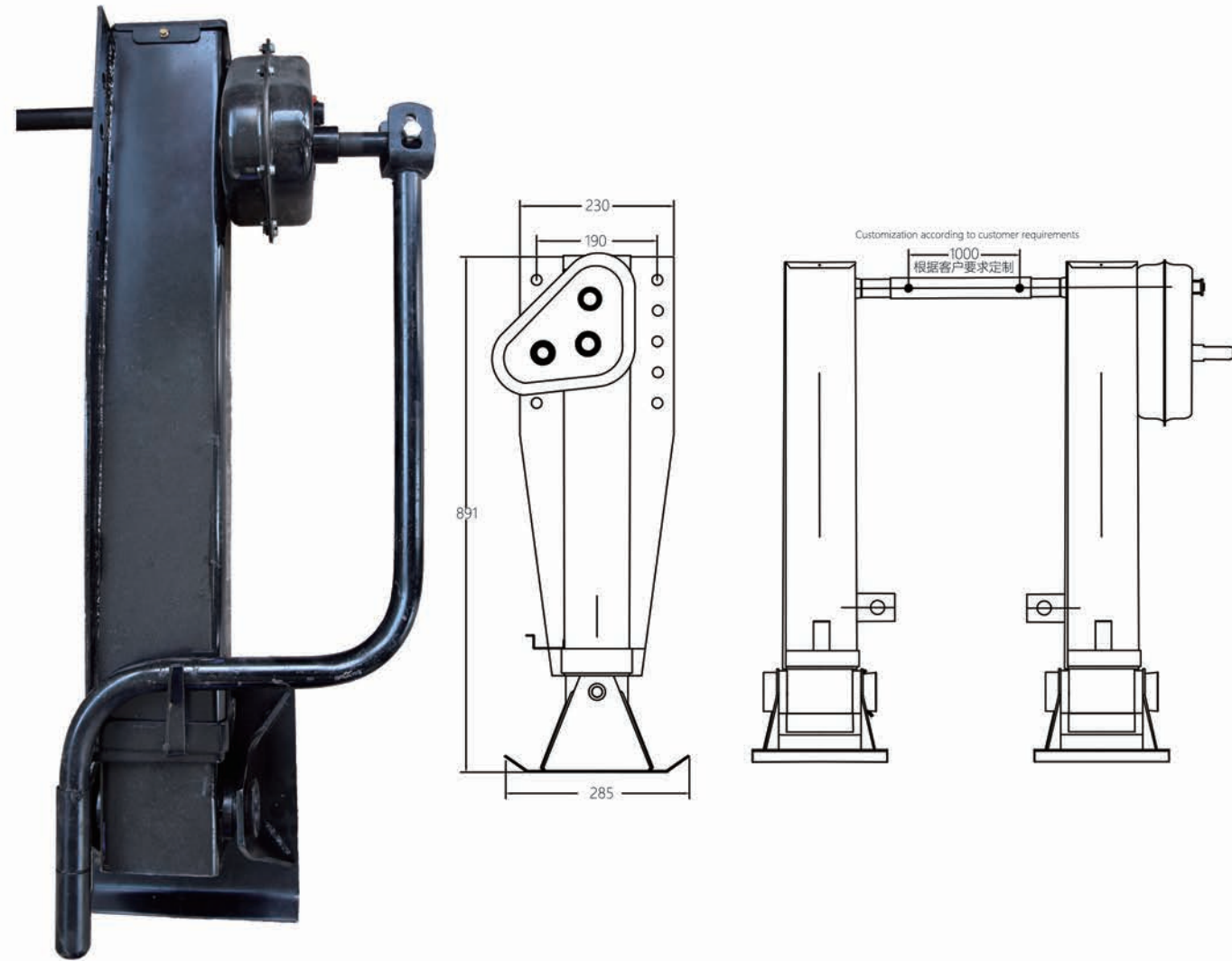


技术参数表

Technical Parameter Table

型号Model	动载 Capacity(T)	静载荷 Static Capacity(T)	安装高度 Height	高档 High gear	低档 Low gear	重量 Weight(kg)
LX-D25T21	25	75	821	5	0.7	96
LX-D25T71	25	75	771	5	0.7	93

外置联动支腿
Outboard landing gear



技术参数表

Technical Parameter Table

型号Model	动载 Capacity (T)	静载荷 Static Capacity (T)	安装高度 Height	高档 High gear	低档 Low gear	重量 Weight (kg)
LX-L28T40	28	80	840	5.4	0.7	110
LX-L28T14	28	80	814	5.4	0.7	107

挂车配件
Accessories

